



PARTS CATALOGUE



MDRM3



MDNMA

GPD155 (BBM1) MALAYSIA

GPD155
PARTS CATALOGUE
©2020 by Yamaha Motor Co., Ltd.
1st edition, May 2020
All rights reserved.
Any reprinting or unauthorized use
without the written permission of
Yamaha Motor Co., Ltd.
is expressly prohibited.
Printed in Japan.

FOREWORD

This Parts Catalogue is related to the parts for the model(s) on the cover page. When you are ordering replacement parts, please refer to this Parts Catalogue and quote both part numbers and part names correctly.

1. Modifications or additions which have been made after the issue of the Parts Catalogue will be announced in the Parts News.
It is advisable that you make the necessary corrections to the Parts Catalogue according to the Parts News.
2. Abbreviations
The following abbreviations are used in this Parts Catalogue.
“UR” Use specified parts number.
“UN” Use as many as needed.
“AP” Alternate Parts
“LM” Locally Made (Parts need to be ordered locally)
“F#” Frame No. (Applicable machine No.)
“O/S” Over Size
3. The number of components for assembly
 - Parts, which are to be supplied in an assembly, are listed with a dot (.) in front of the part name as shown below.
 - The numeral appearing to the right of each component part indicates the quantity of parts for each assembly unit.

| PART NO. | DESCRIPTION | Q'TY | REMARKS |
|--------------|--------------------------|------|---------|
| 2F5-83310-60 | FRONT FLASHER LIGHT ASSY | 2 | |
| 115-83311-60 | .BULB (6V-18W) | 1 | |

4. Applicable colours of graphics are represented in the “REMARKS” as shown below.

| PART NO. | DESCRIPTION | Q'TY | REMARKS |
|-----------------|---------------------|------|---------|
| 2N4-24110-00-X5 | FUEL TANK COMP. | 2 | MXR |
| 3J1-24240-10 | .GRAPHIC, FUEL TANK | 1 | FOR MXR |

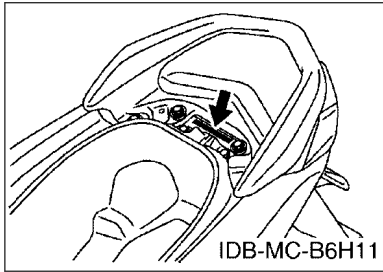
5. Note that the illustrations for reference in finding parts numbers are not to be used for assembling. When assembling, please use the applicable service manual.

6. The asterisk (*) before a reference number indicates modified items after the first edition.

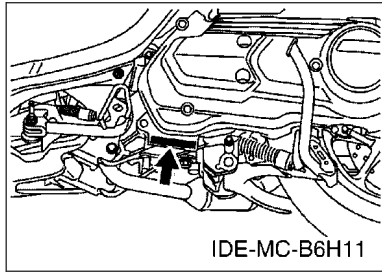
FOREWORD

7. Applicable Serial No.

Frame Serial No.



Engine Serial No.



8. Applicable Colour Code (The (*) mark shows Model colour.)

| Abbreviation | Colour Name | Colour Code |
|--------------|---------------------------|-------------|
| LNYMD | LIGHT GRAYISH YELLOW ME D | 1785 |
| MDNMA(*) | MAT DARK GRAY METALLIC A | 1760 |
| MDRM3(*) | MAT DEEP RED METALLIC 3 | 1258 |
| MNM3 | MAT GRAY METALLIC 3 | 1278 |
| SM12 | BLACK METALLIC 12 | 1723 |
| YB | YAMAHA BLACK | 0033 |
| | | |
| | | |
| | | |
| | | |

9. Applicable Starting Serial No.

Frame Serial No.

| Serial No. | Name Of Q'ty Column | Model Code |
|------------|---------------------|------------|
| | | |
| | | |
| | | |
| | | |

Engine Serial No.

| Serial No. | Name Of Q'ty Column | Model Code |
|------------|---------------------|------------|
| | | |
| | | |
| | | |
| | | |

CONTENTS

ENGINE

| | |
|--------------------------|----|
| CYLINDER..... | 1 |
| CRANKSHAFT & PISTON..... | 3 |
| VALVE..... | 4 |
| CAMSHAFT & CHAIN..... | 5 |
| WATER PUMP..... | 6 |
| RADIATOR & HOSE..... | 7 |
| OIL PUMP..... | 9 |
| INTAKE..... | 10 |
| EXHAUST..... | 12 |
| CRANKCASE..... | 13 |
| CRANKCASE COVER 1..... | 15 |
| CLUTCH..... | 16 |
| TRANSMISSION..... | 18 |

CHASSIS

| | |
|------------------------------|----|
| FRAME..... | 19 |
| FENDER..... | 20 |
| SIDE COVER..... | 21 |
| REAR ARM & SUSPENSION..... | 23 |
| STEERING..... | 24 |
| FUEL TANK..... | 26 |
| SEAT..... | 27 |
| FRONT WHEEL..... | 29 |
| FRONT BRAKE CALIPER..... | 30 |
| REAR WHEEL..... | 31 |
| REAR BRAKE CALIPER..... | 32 |
| STEERING HANDLE & CABLE..... | 33 |
| FRONT MASTER CYLINDER..... | 34 |
| STAND & FOOTREST..... | 36 |
| LEG SHIELD..... | 39 |
| WINDSHIELD..... | 42 |
| GENERATOR..... | 43 |
| FLASHER LIGHT..... | 44 |
| METER..... | 45 |
| HEADLIGHT..... | 46 |
| TAILLIGHT..... | 47 |
| HANDLE SWITCH & LEVER..... | 48 |
| ELECTRICAL 1..... | 49 |
| ELECTRICAL 2..... | 50 |

| | |
|-------------------|----|
| ELECTRICAL 3..... | 51 |
|-------------------|----|

INDEX

| | |
|----------------------|----|
| NUMERICAL INDEX..... | 52 |
|----------------------|----|

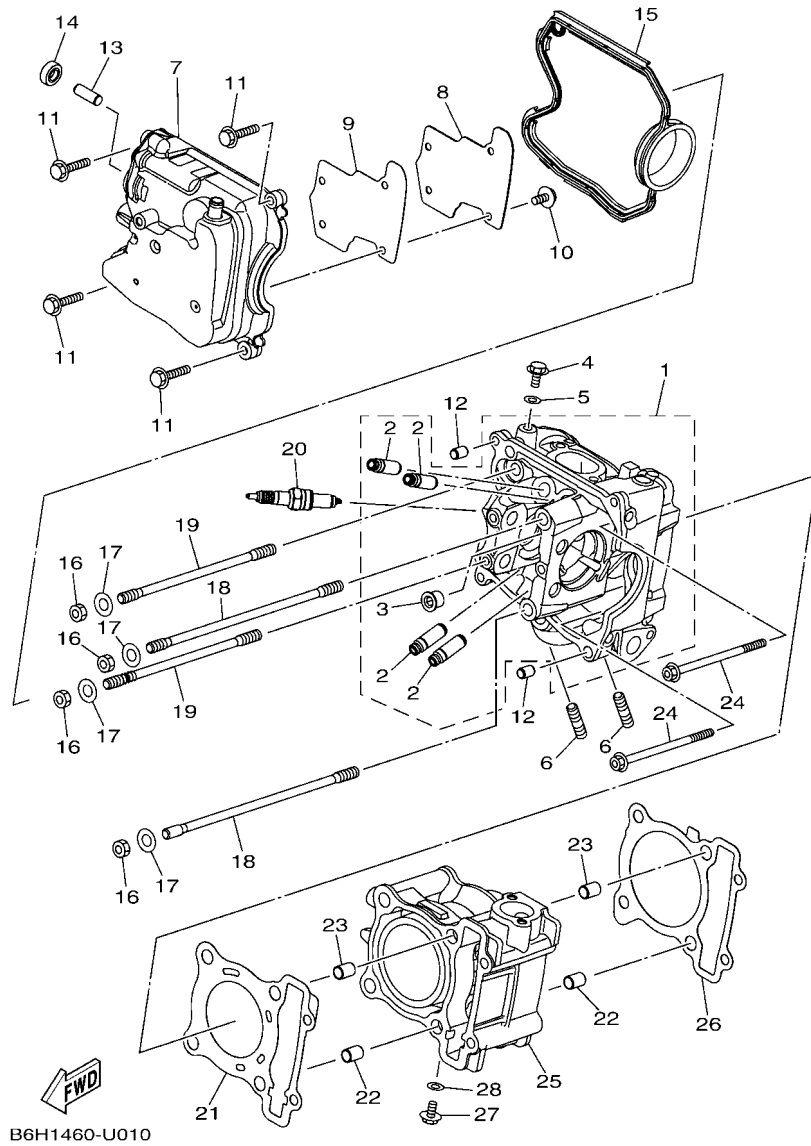
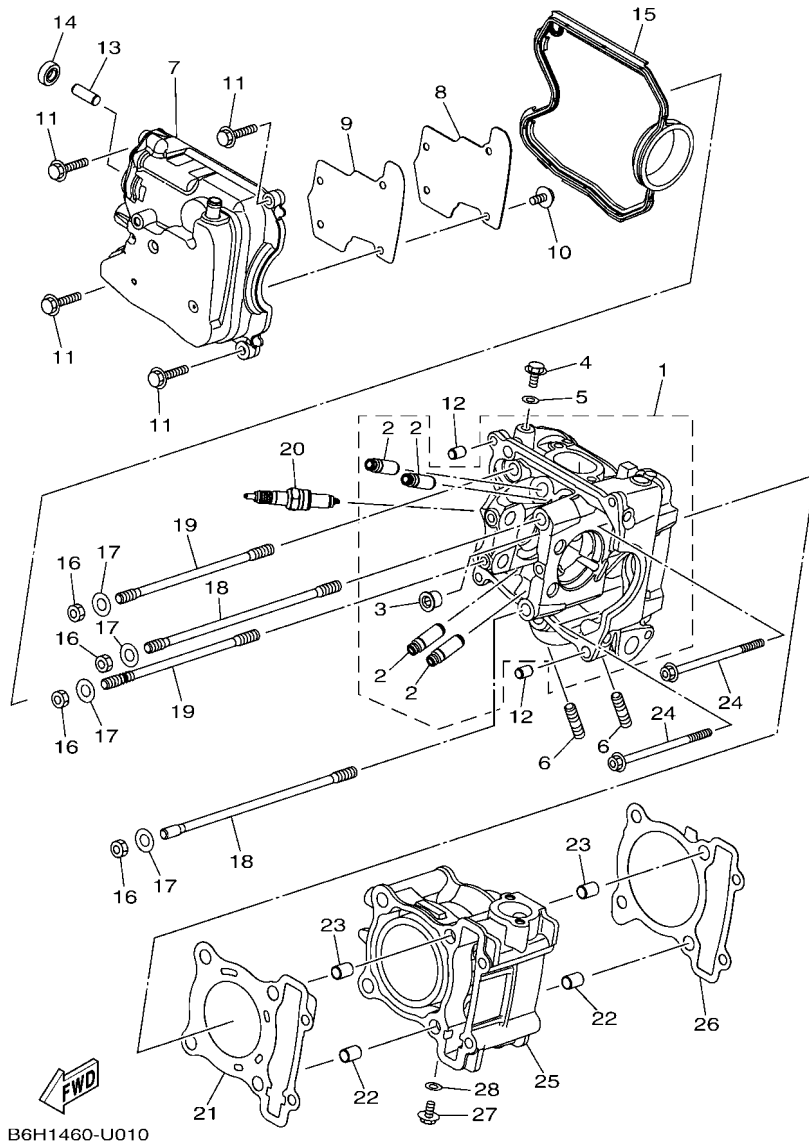


FIG. 1 CYLINDER

| REF. NO. | PART NO. | DESCRIPTION | BBM1 | | | | REMARKS |
|----------|--------------|---------------------------|------|--|--|--|---------|
| 1 | B6H-E1102-00 | CYLINDER HEAD ASSY | 1 | | | | |
| 2 | 2DP-E1133-10 | .GUIDE, VALVE 1 | 4 | | | | |
| 3 | 90340-12813 | .PLUG, STRAIGHT SCREW | 1 | | | | |
| 4 | 95E32-06010 | BOLT, FLANGE DEEP RECESS | 1 | | | | |
| 5 | 90430-06803 | GASKET | 1 | | | | |
| 6 | 95612-08618 | BOLT, STUD | 2 | | | | |
| 7 | 2DP-E1191-00 | COVER, CYLINDER HEAD 1 | 1 | | | | |
| 8 | 2DP-E1165-00 | PLATE, BREATHER | 1 | | | | |
| 9 | 2DP-E1169-00 | GASKET, BREATHER COVER | 1 | | | | |
| 10 | 90149-05801 | SCREW | 4 | | | | |
| 11 | 95E32-06030 | BOLT, FLANGE DEEP RECESS | 4 | | | | |
| 12 | 99530-08012 | PIN, DOWEL | 2 | | | | |
| 13 | 2DP-E132G-00 | ROD 1 | 1 | | | | |
| 14 | 93102-08800 | OIL SEAL | 1 | | | | |
| 15 | B3F-E1193-00 | GASKET, HEAD COVER 1 | 1 | | | | |
| 16 | 95332-08600 | NUT | 4 | | | | |
| 17 | 90201-08859 | WASHER, PLATE | 4 | | | | |
| 18 | 2DP-E1391-00 | BOLT, STUD 1 | 2 | | | | |
| 19 | 2DP-E1392-00 | BOLT, STUD 2 | 2 | | | | |
| 20 | 94700-00415 | PLUG, SPARK (NGK CPR8EA) | 1 | | | | |
| 21 | 2DP-E1181-00 | GASKET, CYLINDER HEAD 1 | 1 | | | | |
| 22 | 99530-10114 | PIN, DOWEL | 2 | | | | |
| 23 | 99530-10114 | PIN, DOWEL | 2 | | | | |
| 24 | 90110-06378 | BOLT, HEXAGON SOCKET HEAD | 2 | | | | |
| 25 | B6H-E1311-00 | CYLINDER 1 | 1 | | | | |
| 26 | B6H-E1351-00 | GASKET, CYLINDER | 1 | | | | |
| 27 | 95E32-06010 | BOLT, FLANGE DEEP RECESS | 1 | | | | |

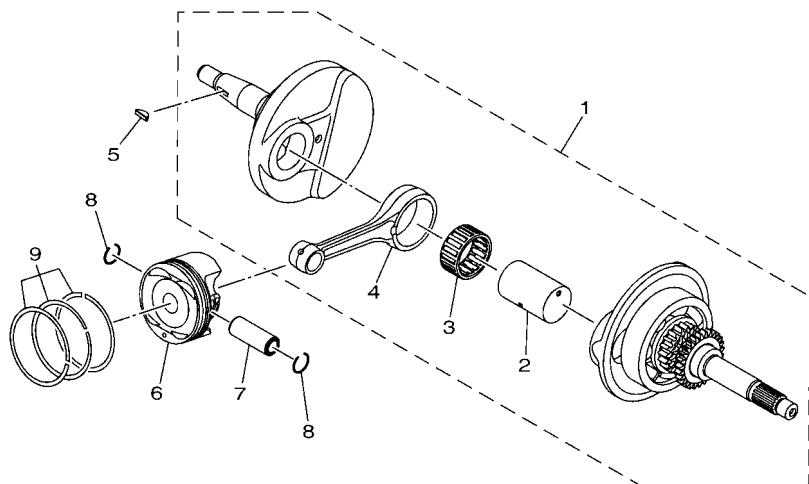


B6H1460-U010

FIG. 1 CYLINDER

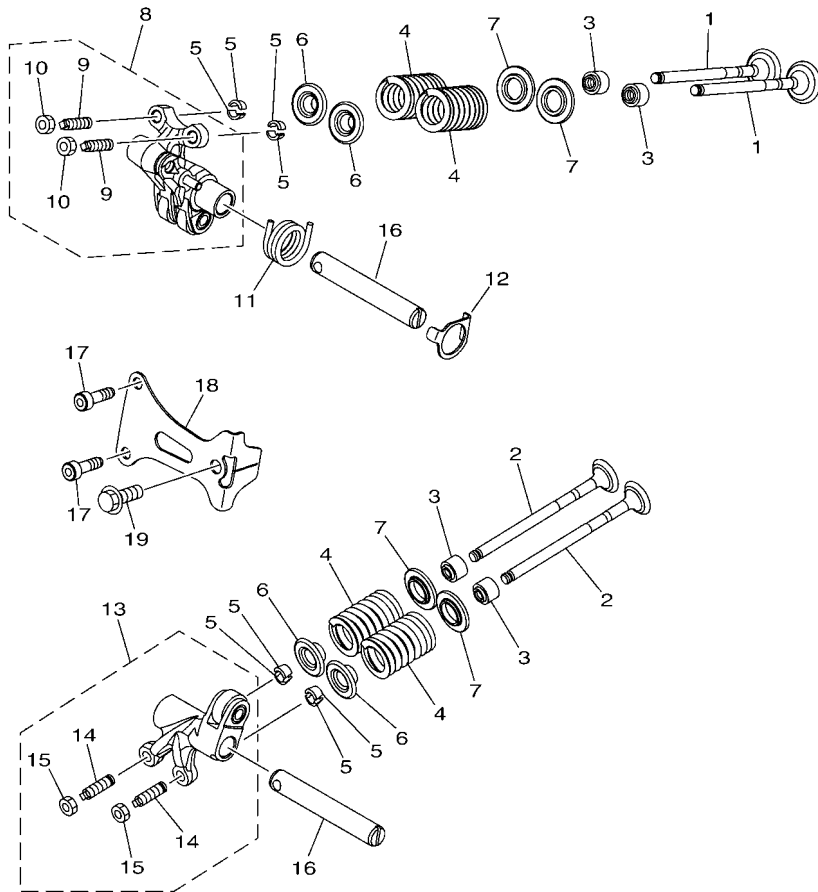
| REF. NO. | PART NO. | DESCRIPTION | BBM1 | | | | REMARKS |
|----------|-------------|-------------|------|--|--|--|---------|
| 28 | 90430-06803 | GASKET | 1 | | | | |
| | | | | | | | |
| | | | | | | | |
| | | | | | | | |
| | | | | | | | |
| | | | | | | | |
| | | | | | | | |
| | | | | | | | |
| | | | | | | | |
| | | | | | | | |

FIG. 2 CRANKSHAFT & PISTON



| REF. NO. | PART NO. | DESCRIPTION | BBM1 | | | | REMARKS |
|----------|--------------|-----------------------|------|--|--|--|---------|
| 1 | B6H-E1400-10 | CRANKSHAFT ASSY | 1 | | | | |
| 2 | B63-E1681-00 | .PIN, CRANK 1 | 1 | | | | |
| 3 | 93310-528YK | .BEARING | 1 | | | | |
| 4 | 2DP-E1651-00 | .ROD, CONNECTING | 1 | | | | |
| 5 | 90280-03017 | KEY, WOODRUFF | 1 | | | | |
| 6 | BK6-E1631-00 | PISTON (STD) | 1 | | | | |
| 7 | 2DP-E1633-00 | PIN, PISTON | 1 | | | | |
| 8 | 93450-16115 | CIRCLIP | 2 | | | | |
| 9 | B63-E1603-00 | PISTON RING SET (STD) | 1 | | | | |


 B6H1460-U020

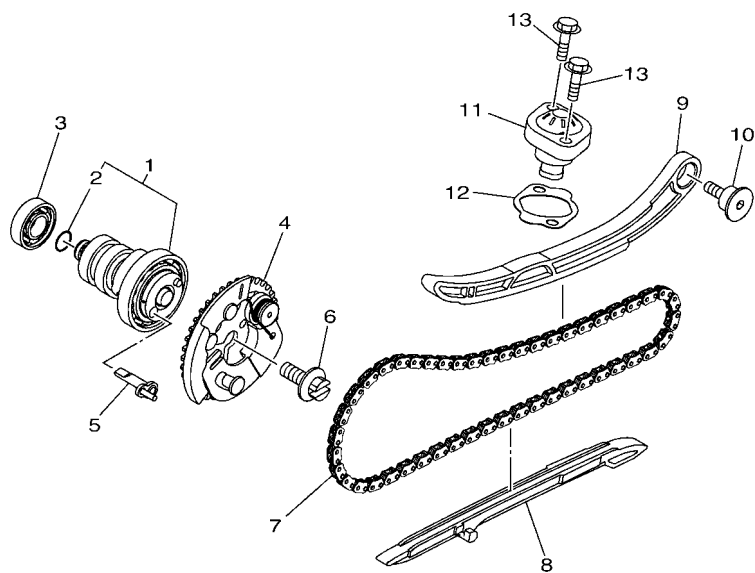


2DP6460-S030

FIG. 3 VALVE

| REF. NO. | PART NO. | DESCRIPTION | BBM1 | | | | REMARKS |
|----------|--------------|-----------------------------|------|--|--|--|-------------------|
| 1 | BK6-E2111-00 | VALVE, INTAKE | 2 | | | | |
| 2 | B3F-E2121-00 | VALVE, EXHAUST | 2 | | | | |
| 3 | 54P-E2119-00 | SEAL, VALVE STEM | 4 | | | | |
| 4 | BB8-E2113-01 | SPRING, VALVE INNER | 4 | | | | |
| 5 | 5TL-E2118-00 | LOCK, VALVE SPRING RETAINER | 8 | | | | |
| 6 | 2DP-E2117-00 | RETAINER, VALVE SPRING | 4 | | | | |
| 7 | 50C-E2126-00 | SEAT, VALVE SPRING 2 | 4 | | | | |
| 8 | 2DP-E2150-00 | VALVE ROCKER ARM ASSY | 1 | | | | |
| 9 | 33S-E2159-01 | .SCREW, VALVE ADJUSTING | 2 | | | | |
| 10 | 90170-05803 | .NUT | 2 | | | | |
| 11 | BB8-E2226-00 | SPRING, COIL | 1 | | | | |
| 12 | 2DP-E2279-00 | PLATE | 1 | | | | UR EITHER CAN USE |
| | B63-E2279-00 | PLATE | 1 | | | | UR EITHER CAN USE |
| 13 | B6H-E2160-00 | VALVE ROCKER ARM ASSY 2 | 1 | | | | |
| 14 | 33S-E2159-01 | .SCREW, VALVE ADJUSTING | 2 | | | | |
| 15 | 90170-05803 | .NUT | 2 | | | | |
| 16 | 45P-E2156-00 | SHAFT, ROCKER 2 | 2 | | | | |
| 17 | 91312-05016 | BOLT, HEXAGON SOCKET HEAD | 2 | | | | |
| 18 | 2DP-E111F-00 | PLATE | 1 | | | | UR EITHER CAN USE |
| | B63-E111F-00 | PLATE | 1 | | | | UR EITHER CAN USE |
| 19 | 95E32-06014 | BOLT, FLANGE DEEP RECESS | 1 | | | | |

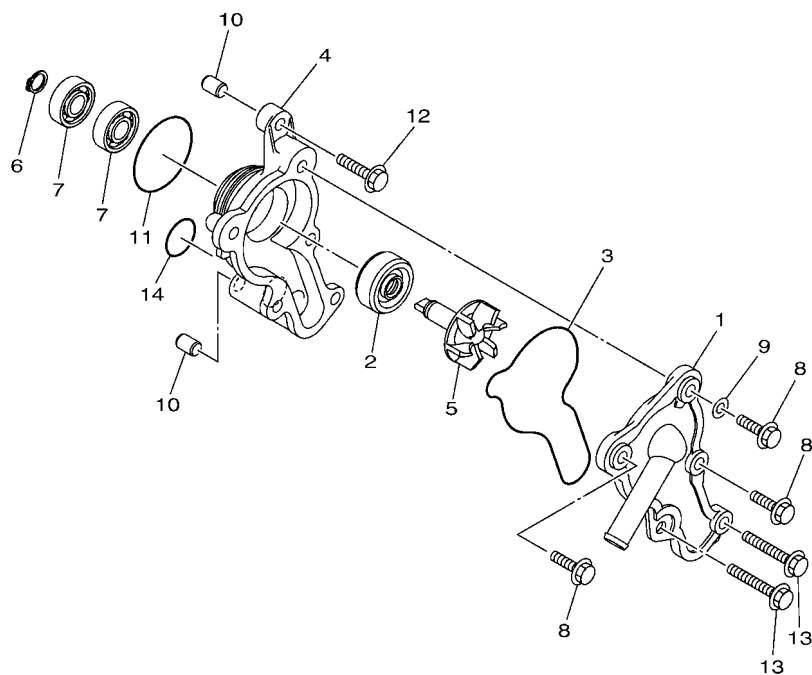
FIG. 4 CAMSHAFT & CHAIN




B6H1460-U040

| REF. NO. | PART NO. | DESCRIPTION | BBM1 | | | | REMARKS |
|----------|--------------|---------------------------|------|--|--|--|-------------------|
| 1 | B6H-E2170-00 | CAMSHAFT ASSY 1 | 1 | | | | |
| 2 | 93210-09806 | .O-RING | 1 | | | | |
| 3 | 93306-001YG | BEARING | 1 | | | | |
| 4 | B6H-E2280-00 | DECOMPRESSION ASSY | 1 | | | | |
| 5 | B6H-E2288-00 | CAM, DECOMPRESSION | 1 | | | | UR EITHER CAN USE |
| | 2DP-E2288-00 | CAM, DECOMPRESSION | 1 | | | | UR EITHER CAN USE |
| 6 | 5YP-E2157-01 | BOLT | 1 | | | | |
| 7 | 94568-F9096 | CHAIN (DID SCR-0404 SV) | 1 | | | | |
| 8 | B65-E2231-00 | GUIDE, STOPPER 1 | 1 | | | | |
| 9 | B6H-E2241-00 | GUIDE, STOPPER 2 | 1 | | | | |
| 10 | 1DB-E2228-00 | BOLT | 1 | | | | |
| 11 | 2PV-E2210-01 | TENSIONER ASSY, CAM CHAIN | 1 | | | | |
| 12 | B6H-E2213-00 | GASKET, TENSIONER CASE | 1 | | | | |
| 13 | 95E32-06020 | BOLT, FLANGE DEEP RECESS | 2 | | | | |

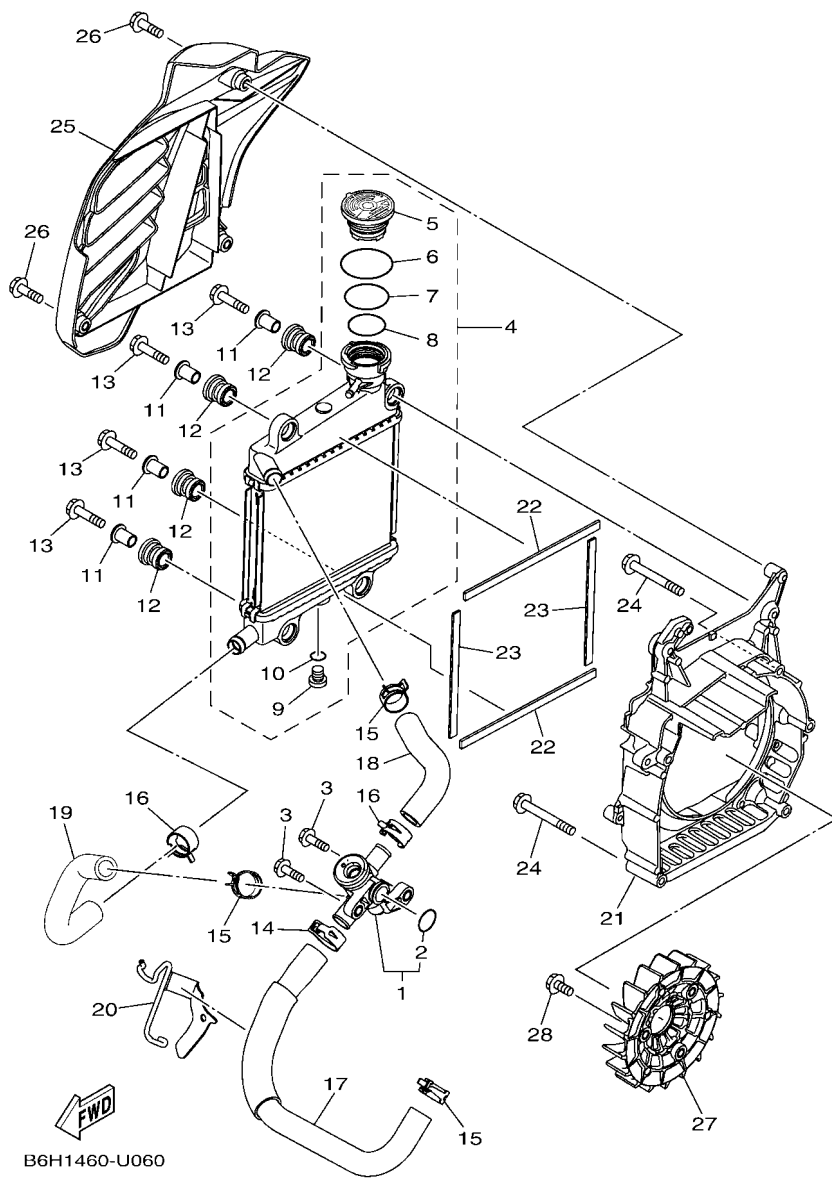
FIG. 5 WATER PUMP



| REF. NO. | PART NO. | DESCRIPTION | BBM1 | | | | REMARKS |
|----------|--------------|-----------------------------|------|--|--|--|---------|
| 1 | B6H-E2422-00 | COVER, HOUSING | 1 | | | | |
| 2 | B6H-E2223-00 | SEAL | 1 | | | | |
| 3 | B6H-E2439-00 | O-RING | 1 | | | | |
| 4 | B6H-E1185-00 | COVER, CYLINDER HEAD SIDE 3 | 1 | | | | |
| 5 | B6H-E2450-00 | IMPELLER SHAFT ASSY | 1 | | | | |
| 6 | 99009-08400 | CIRCLIP | 1 | | | | |
| 7 | 93300-608X0 | BEARING | 2 | | | | |
| 8 | 95027-06020 | BOLT, FLANGE | 3 | | | | |
| 9 | 90430-06803 | GASKET | 1 | | | | |
| 10 | 99530-08012 | PIN, DOWEL | 2 | | | | |
| 11 | 93210-39803 | O-RING | 1 | | | | |
| 12 | 95E32-06025 | BOLT, FLANGE DEEP RECESS | 1 | | | | |
| 13 | 95E32-06045 | BOLT, FLANGE DEEP RECESS | 2 | | | | |
| 14 | 93210-19809 | O-RING | 1 | | | | |

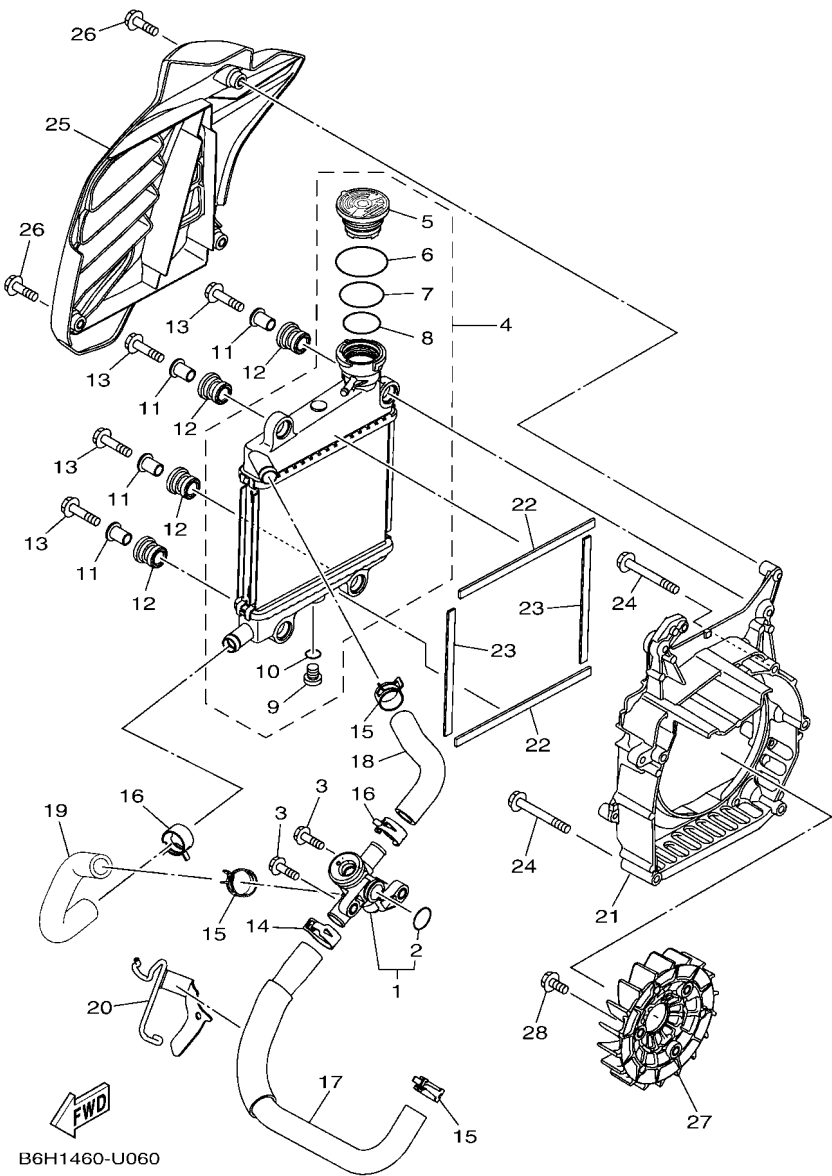

B6H1460-U050

FIG. 6 RADIATOR & HOSE



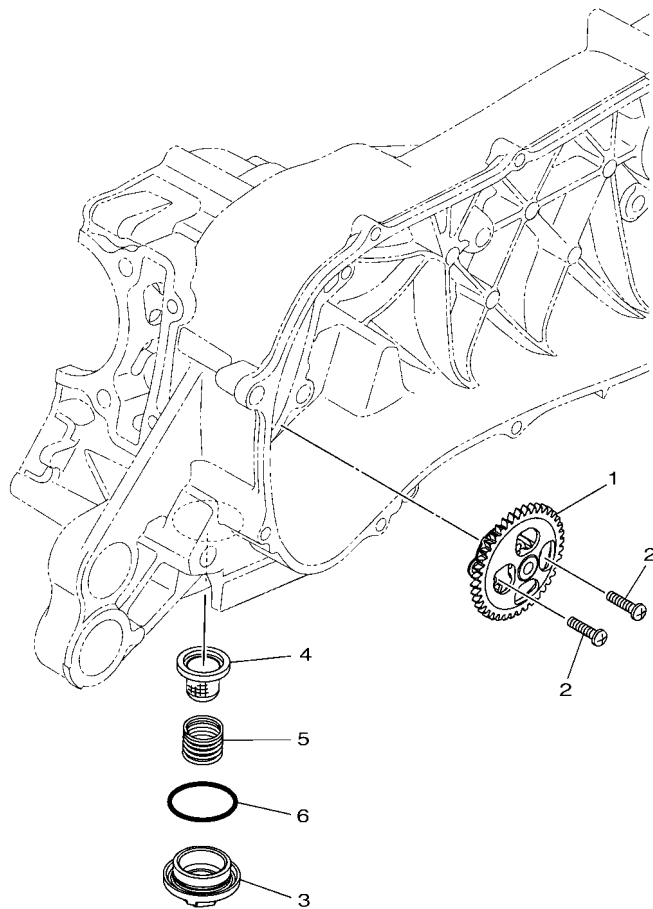
| REF. NO. | PART NO. | DESCRIPTION | BBM1 | | | | REMARKS |
|----------|--------------|--------------------------|------|--|--|--|---------|
| 1 | 2DP-E2410-00 | THERMOSTAT ASSY | 1 | | | | |
| 2 | 52S-12439-00 | .O-RING | 1 | | | | |
| 3 | 95E32-06020 | BOLT, FLANGE DEEP RECESS | 2 | | | | |
| 4 | B6H-E240A-00 | RADIATOR ASSY | 1 | | | | |
| 5 | B65-E2462-00 | .CAP, RADIATOR | 1 | | | | |
| 6 | B63-E22A2-00 | .O-RING | 1 | | | | |
| 7 | B63-E2439-00 | .O-RING | 1 | | | | |
| 8 | B63-E2843-00 | .O-RING | 1 | | | | |
| 9 | 5ST-E2615-00 | .COCK, DRAIN | 1 | | | | |
| 10 | 5ST-E2843-00 | .O-RING | 1 | | | | |
| 11 | 90387-08823 | COLLAR | 4 | | | | |
| 12 | 90480-14833 | GROMMET | 4 | | | | |
| 13 | 95D32-06030 | BOLT, FLANGE DEEP RECESS | 4 | | | | |
| 14 | 90467-20806 | CLIP | 1 | | | | |
| 15 | 90467-19803 | CLIP | 3 | | | | |
| 16 | 90467-19803 | CLIP | 2 | | | | |
| 17 | B6H-E2481-00 | PIPE 1 | 1 | | | | |
| 18 | B6H-E2482-00 | PIPE 2 | 1 | | | | |
| 19 | B6H-E2483-00 | PIPE 3 | 1 | | | | |
| 20 | B6H-E2491-00 | CLAMP 1 | 1 | | | | |
| 21 | B6H-E2621-00 | CASE, FAN | 1 | | | | |
| 22 | 90520-10853 | DAMPER, PLATE | 2 | | | | |
| 23 | 90520-10855 | DAMPER, PLATE | 2 | | | | |
| 24 | 95E32-06050 | BOLT, FLANGE DEEP RECESS | 5 | | | | |
| 25 | B6H-E2467-00 | COVER, RADIATOR | 1 | | | | |
| 26 | 95E32-06020 | BOLT, FLANGE DEEP RECESS | 3 | | | | |
| 27 | B65-E2611-00 | FAN | 1 | | | | |

FIG. 6 RADIATOR & HOSE



| REF. NO. | PART NO. | DESCRIPTION | BBM1 | | | | | REMARKS |
|----------|-------------|--------------------------|------|--|--|--|--|---------|
| 28 | 95D32-06016 | BOLT, FLANGE DEEP RECESS | 3 | | | | | |
| | | | | | | | | |
| | | | | | | | | |
| | | | | | | | | |
| | | | | | | | | |
| | | | | | | | | |
| | | | | | | | | |
| | | | | | | | | |
| | | | | | | | | |

FIG. 7 OIL PUMP



| REF. NO. | PART NO. | DESCRIPTION | BBM1 | | | | REMARKS |
|----------|--------------|---------------------|------|--|--|--|---------|
| 1 | B65-E3300-01 | OIL PUMP ASSY | 1 | | | | |
| 2 | 98502-05020 | SCREW, PAN HEAD | 2 | | | | |
| 3 | 54P-E5351-00 | PLUG, DRAIN | 1 | | | | |
| 4 | 54P-E3411-00 | STRAINER, OIL | 1 | | | | |
| 5 | 90501-16004 | SPRING, COMPRESSION | 1 | | | | |
| 6 | 93210-29800 | O-RING | 1 | | | | |
| | | | | | | | |
| | | | | | | | |
| | | | | | | | |
| | | | | | | | |
| | | | | | | | |
| | | | | | | | |
| | | | | | | | |
| | | | | | | | |


 B6H1460-U070

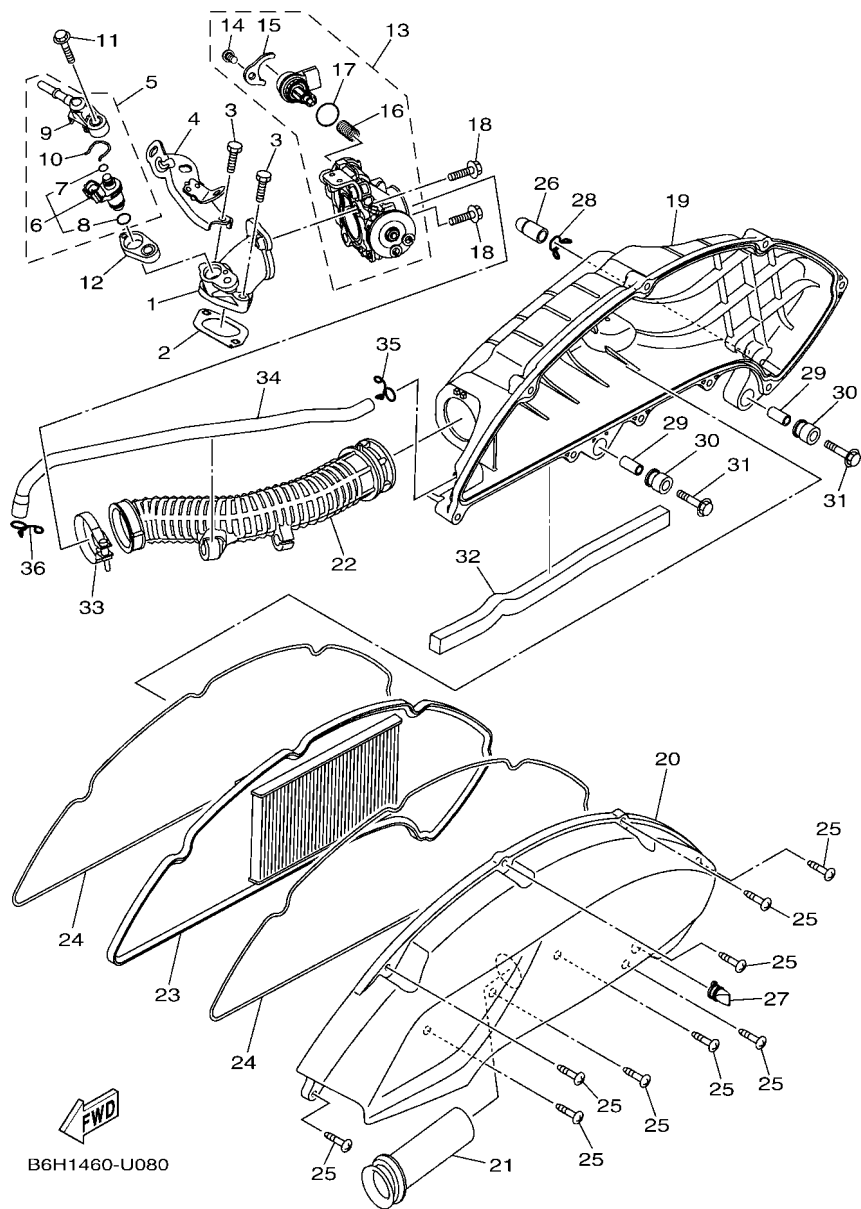


FIG. 8 INTAKE

| REF. NO. | PART NO. | DESCRIPTION | BBM1 | | | | REMARKS |
|----------|--------------|---------------------------|------|--|--|--|---------|
| 1 | B6H-E3585-00 | MANIFOLD | 1 | | | | |
| 2 | B6H-E4199-00 | GASKET | 1 | | | | |
| 3 | 91332-06025 | BOLT | 2 | | | | |
| 4 | B6H-E4146-00 | PLATE | 1 | | | | |
| 5 | BB8-E3770-10 | INJECTOR ASSY | 1 | | | | |
| 6 | BB8-E3761-10 | .INJECTOR | 1 | | | | |
| 7 | 54P-E4147-00 | .O-RING | 1 | | | | |
| 8 | 5CA-E4147-00 | .O-RING | 1 | | | | |
| 9 | 54P-E3938-00 | .PIPE | 1 | | | | |
| 10 | 54P-E4137-00 | .CLIP | 1 | | | | |
| 11 | 95D32-06030 | BOLT, FLANGE DEEP RECESS | 1 | | | | |
| 12 | 2DP-E3556-00 | GASKET, MANIFOLD | 1 | | | | |
| 13 | B65-E3750-10 | THROTTLE BODY ASSY | 1 | | | | |
| 14 | 98502-06012 | .SCREW, PAN HEAD | 2 | | | | |
| 15 | 54P-E4243-00 | .PLATE | 1 | | | | |
| 16 | 54P-E4335-00 | .SPRING, PLUNGER | 1 | | | | |
| 17 | 54P-E416A-00 | .O-RING | 1 | | | | |
| 18 | 90110-06846 | BOLT, HEXAGON SOCKET HEAD | 2 | | | | |
| 19 | B6H-E4411-10 | CASE, AIR CLEANER 1 | 1 | | | | |
| 20 | B6H-E4412-10 | CAP, CLEANER CASE 1 | 1 | | | | |
| 21 | B6H-E4437-00 | DUCT | 1 | | | | |
| 22 | B6H-E4453-00 | JOINT, AIR CLEANER 1 | 1 | | | | |
| 23 | B6H-E4451-00 | ELEMENT, AIR CLEANER | 1 | | | | |
| 24 | B6H-E4452-00 | SEAL | 2 | | | | |
| 25 | 97707-50025 | SCREW, TAPPING | 9 | | | | |
| 26 | 5TL-E443E-00 | PIPE, DRAIN | 1 | | | | |
| 27 | B5D-E443G-00 | PIPE, DRAIN 2 | 1 | | | | |

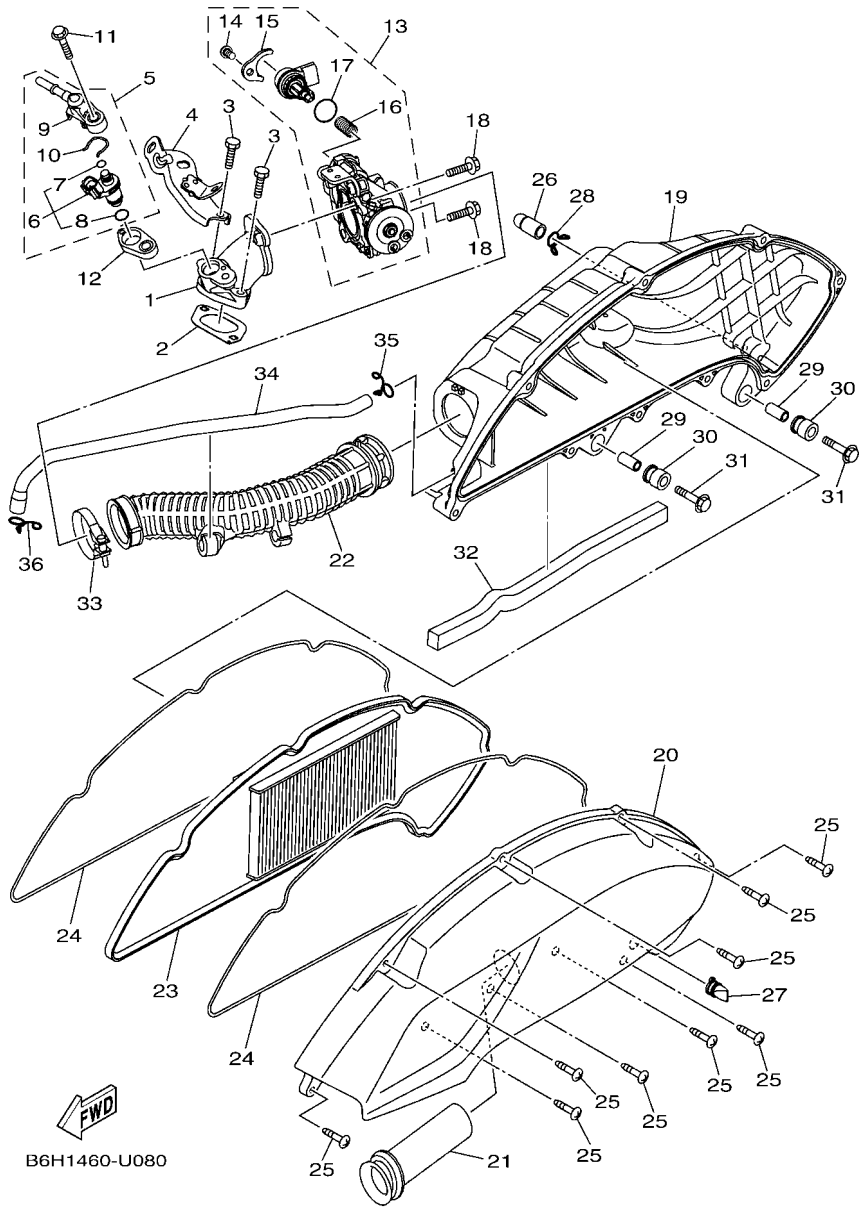
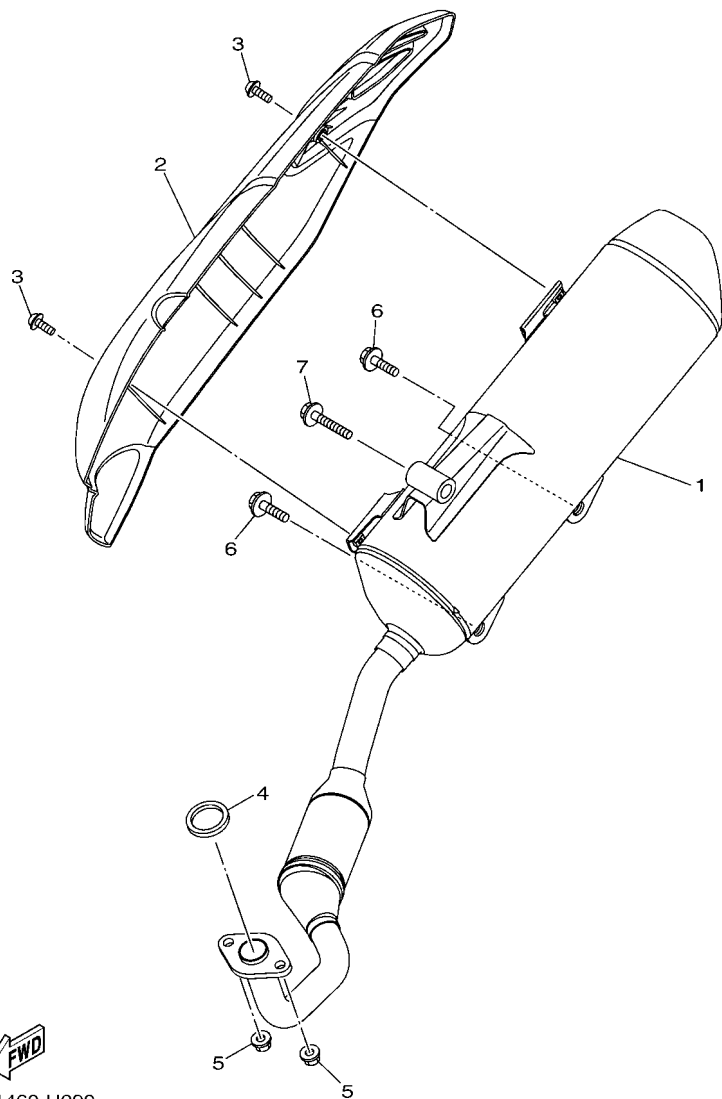


FIG. 8 INTAKE

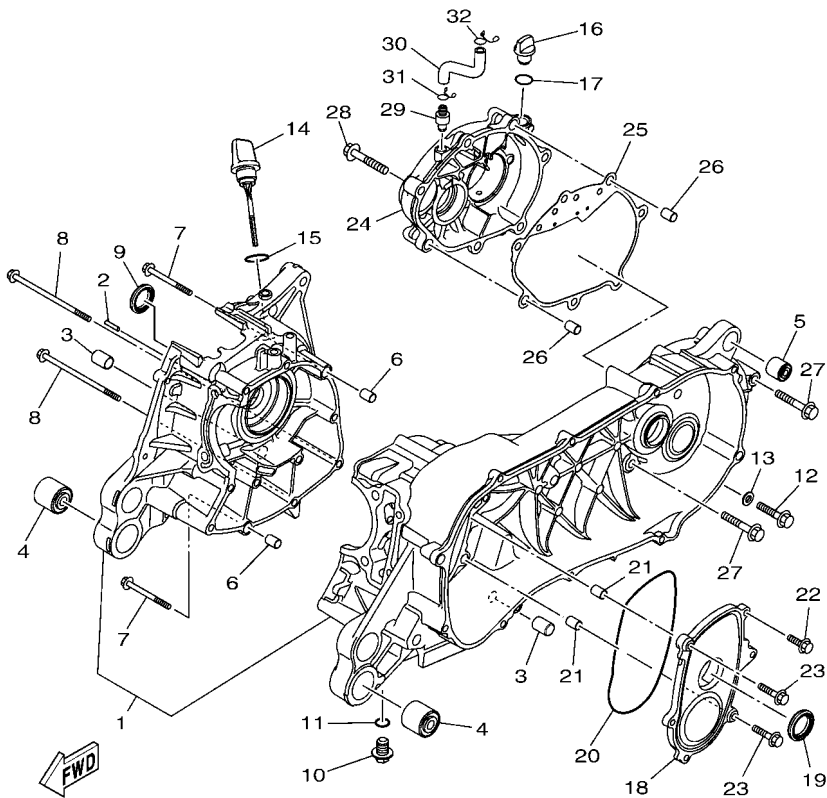
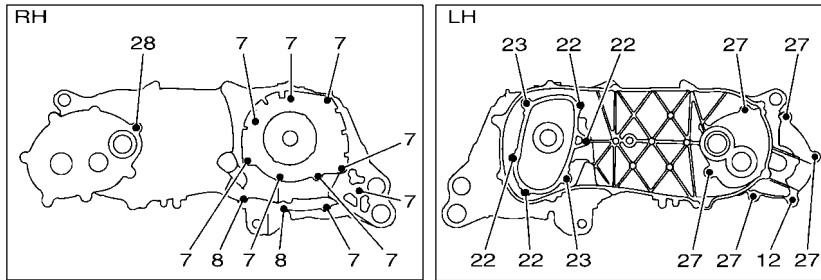
| REF. NO. | PART NO. | DESCRIPTION | BBM1 | | | REMARKS |
|----------|--------------|--------------------------|------|--|--|---------|
| 28 | 90467-12809 | CLIP | 1 | | | |
| 29 | B74-E4449-00 | COLLAR | 2 | | | |
| 30 | B6H-E4435-00 | GROMMET | 2 | | | |
| 31 | 95D32-06030 | BOLT, FLANGE DEEP RECESS | 2 | | | |
| 32 | 90520-15816 | DAMPER, PLATE | 1 | | | |
| 33 | 90450-43805 | HOSE CLAMP ASSY | 1 | | | |
| 34 | B6H-E1166-00 | PIPE, BREATHER 1 | 1 | | | |
| 35 | 90467-11825 | CLIP | 1 | | | |
| 36 | 90467-12052 | CLIP | 1 | | | |
| | | | | | | |
| | | | | | | |
| | | | | | | |
| | | | | | | |
| | | | | | | |
| | | | | | | |
| | | | | | | |

FIG. 9 EXHAUST



B6H1460-U090

| REF. NO. | PART NO. | DESCRIPTION | BBM1 | | | | REMARKS |
|----------|--------------|--------------------------|------|--|--|--|---------|
| 1 | B1T-E4711-00 | MUFFLER 1 | 1 | | | | |
| 2 | B6H-E4718-00 | PROTECTOR, MUFFLER 1 | 1 | | | | |
| 3 | 90111-06860 | BOLT,HEX. SOCKET BUTTON | 2 | | | | |
| 4 | BK7-E4613-00 | GASKET, EXHAUST PIPE | 1 | | | | |
| 5 | 95702-08500 | NUT, FLANGE | 2 | | | | |
| 6 | 95D32-10045 | BOLT, FLANGE DEEP RECESS | 2 | | | | |
| 7 | 95D32-10060 | BOLT, FLANGE DEEP RECESS | 1 | | | | |
| | | | | | | | |
| | | | | | | | |
| | | | | | | | |
| | | | | | | | |
| | | | | | | | |
| | | | | | | | |
| | | | | | | | |
| | | | | | | | |



B6H1460-U100

FIG. 10 CRANKCASE

| REF. NO. | PART NO. | DESCRIPTION | BBM1 | REMARKS |
|----------|--------------|---------------------------|------|-------------------|
| 1 | B6H-E5150-00 | CRANKCASE ASSY | 1 | |
| 2 | 99480-03012 | PIN | 1 | |
| 3 | 54P-F7121-00 | BUSH | 2 | |
| 4 | 90388-10808 | DAMPER | 2 | |
| 5 | 5MX-F2216-00 | BUSH, REAR SHOCK ABSORBER | 1 | UR EITHER CAN USE |
| | 90388-08803 | DAMPER | 1 | UR EITHER CAN USE |
| 6 | 99530-10114 | PIN, DOWEL | 2 | |
| 7 | 95E32-06060 | BOLT, FLANGE DEEP RECESS | 9 | |
| 8 | 95E32-06110 | BOLT, FLANGE DEEP RECESS | 2 | |
| 9 | 93102-22829 | OIL SEAL | 1 | |
| 10 | 90340-12816 | PLUG, STRAIGHT SCREW | 1 | |
| 11 | 90430-12803 | GASKET | 1 | |
| 12 | 95D32-08035 | BOLT, FLANGE DEEP RECESS | 1 | |
| 13 | 90430-08804 | GASKET | 1 | |
| 14 | 2DP-E5362-00 | PLUG, OIL LEVEL | 1 | |
| 15 | 5LW-E3769-00 | O-RING | 1 | |
| 16 | 5LW-E5363-00 | PLUG, OIL | 1 | |
| 17 | 93210-14816 | O-RING | 1 | |
| 18 | B65-E5423-00 | COVER 2 | 1 | |
| 19 | 93102-24802 | OIL SEAL | 1 | |
| 20 | 93211-28800 | O-RING | 1 | |
| 21 | 99530-10114 | PIN, DOWEL | 2 | |
| 22 | 95E32-06020 | BOLT, FLANGE DEEP RECESS | 4 | |
| 23 | 95E32-06030 | BOLT, FLANGE DEEP RECESS | 2 | |
| 24 | B6H-E5421-00 | COVER, CRANKCASE 2 | 1 | |
| 25 | B6H-E5461-10 | GASKET, CRANKCASE COVER 2 | 1 | |
| 26 | 99530-10114 | PIN, DOWEL | 2 | |

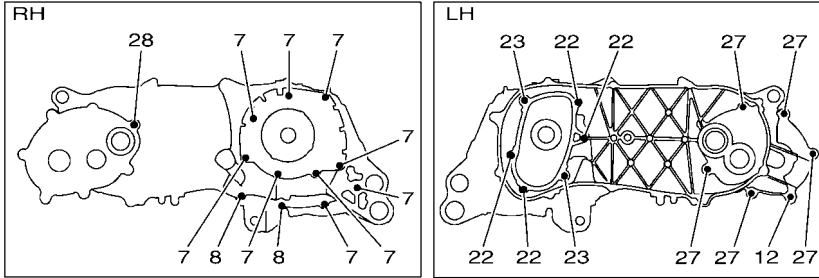
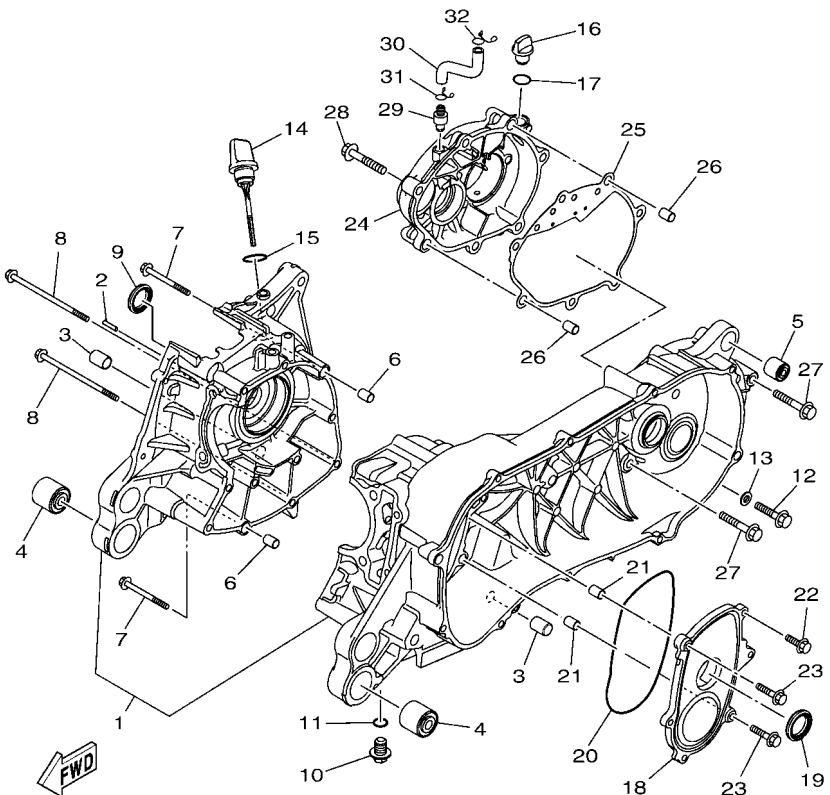


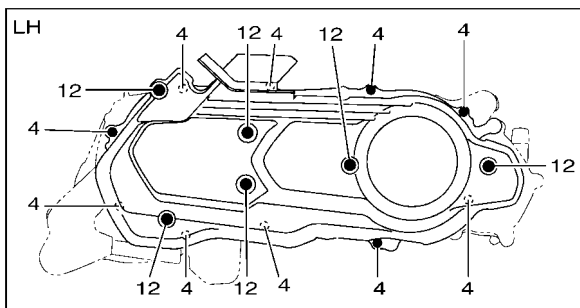
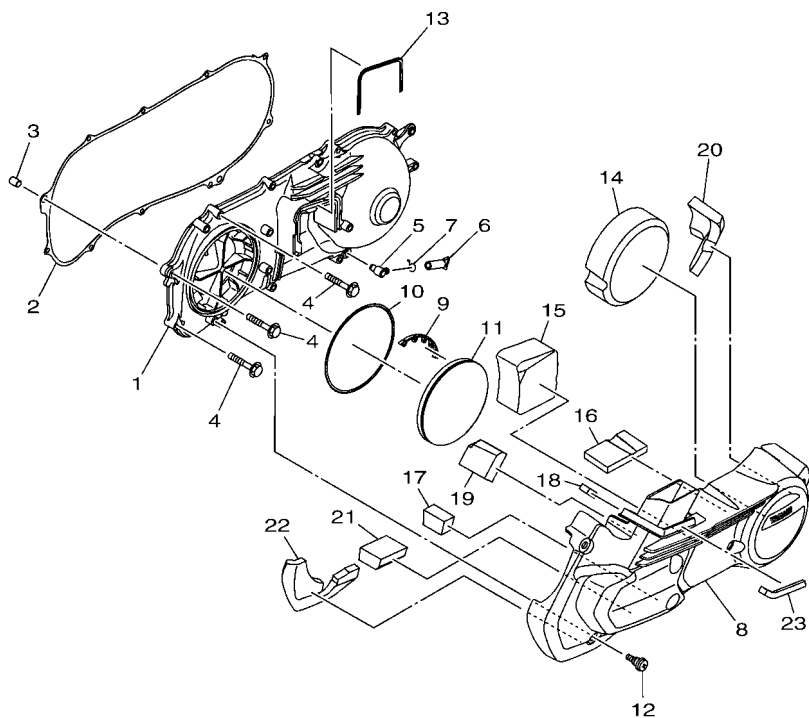
FIG. 10 CRANKCASE

| REF. NO. | PART NO. | DESCRIPTION | BBM1 | | | | REMARKS |
|----------|--------------|--------------------------|------|--|--|--|---------|
| 27 | 95E32-08045 | BOLT, FLANGE DEEP RECESS | 5 | | | | |
| 28 | 95E32-08035 | BOLT, FLANGE DEEP RECESS | 1 | | | | |
| 29 | B6H-E5371-00 | BREATHER | 1 | | | | |
| 30 | B6H-E5373-00 | PIPE, BREATHER | 1 | | | | |
| 31 | 90467-10008 | CLIP | 1 | | | | |
| 32 | 90467-11825 | CLIP | 1 | | | | |
| <hr/> | | | | | | | |
| <hr/> | | | | | | | |
| <hr/> | | | | | | | |
| <hr/> | | | | | | | |
| <hr/> | | | | | | | |
| <hr/> | | | | | | | |
| <hr/> | | | | | | | |
| <hr/> | | | | | | | |
| <hr/> | | | | | | | |
| <hr/> | | | | | | | |



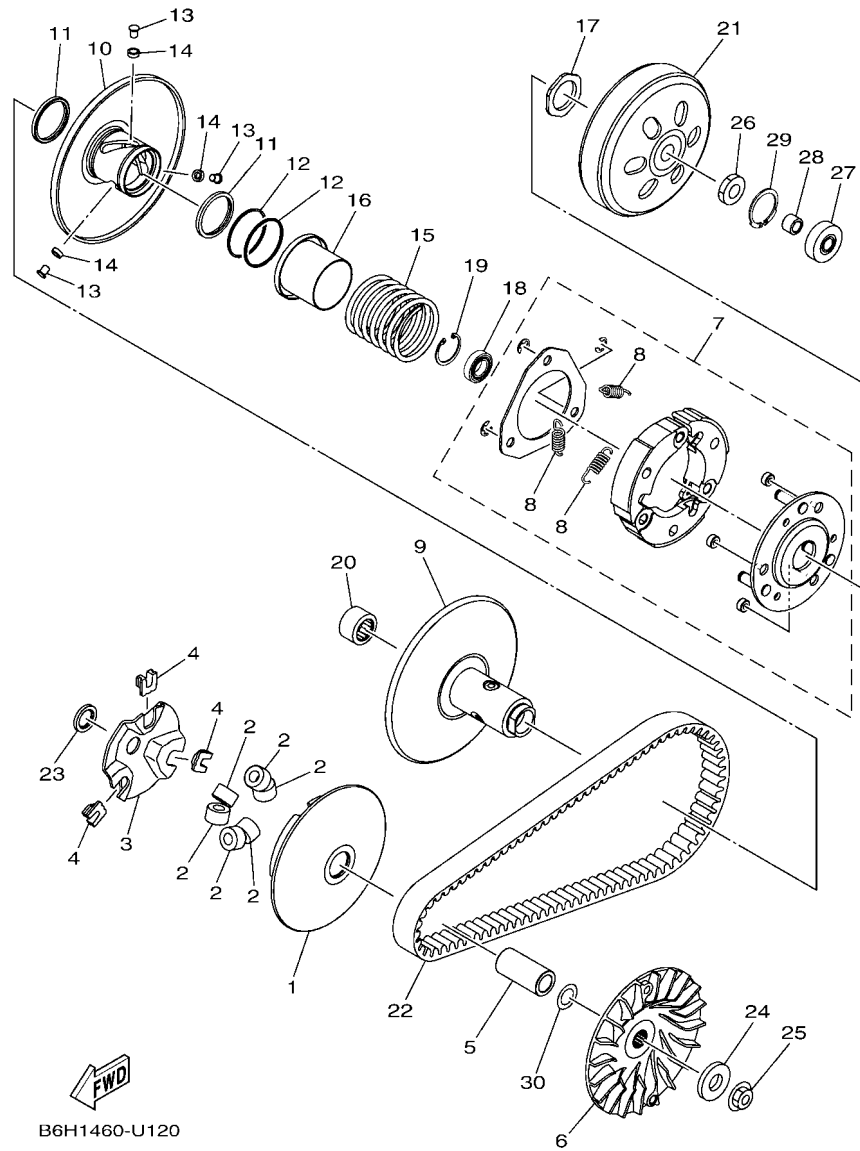
B6H1460-U100

FIG. 11 CRANKCASE COVER 1



B6H1460-U110

| REF. NO. | PART NO. | DESCRIPTION | BBM1 | | | | REMARKS |
|----------|--------------|---------------------------|------|--|--|--|---------|
| 1 | B6H-E5411-00 | COVER, CRANKCASE 1 | 1 | | | | |
| 2 | B6H-E5451-00 | GASKET, CRANKCASE COVER 1 | 1 | | | | |
| 3 | 99530-10114 | PIN, DOWEL | 1 | | | | |
| 4 | 95E32-06035 | BOLT, FLANGE DEEP RECESS | 10 | | | | |
| 5 | 5LW-E5371-01 | BREATHER | 1 | | | | |
| 6 | 4ST-E443E-00 | PIPE, DRAIN | 1 | | | | |
| 7 | 90467-11106 | CLIP | 1 | | | | |
| 8 | B6H-E5431-00 | COVER, CRANKCASE 3 | 1 | | | | |
| 9 | 2DP-E5495-00 | SEAL, PROTECTOR 1 | 1 | | | | |
| 10 | B65-E5472-00 | SEAL, AIR DUCT | 1 | | | | |
| 11 | 2DP-E5407-00 | ELEMENT 1 | 1 | | | | |
| 12 | B63-E5481-00 | BOLT 1 | 6 | | | | |
| 13 | 2DP-E5474-00 | SEAL, AIR DUCT | 1 | | | | |
| 14 | B6H-E5316-00 | DAMPER 1 | 1 | | | | |
| 15 | B6H-E5326-00 | DAMPER 2 | 1 | | | | |
| 16 | 90520-10856 | DAMPER, PLATE | 1 | | | | |
| 17 | 90520-40801 | DAMPER, PLATE | 1 | | | | |
| 18 | 90520-10851 | DAMPER, PLATE | 1 | | | | |
| 19 | 90520-50801 | DAMPER, PLATE | 1 | | | | |
| 20 | B6H-E533C-00 | DAMPER 7 | 1 | | | | |
| 21 | 90520-40800 | DAMPER, PLATE | 1 | | | | |
| 22 | B6H-E533E-00 | DAMPER 9 | 1 | | | | |
| 23 | 90520-10855 | DAMPER, PLATE | 1 | | | | |



B6H1460-U120

FIG. 12 CLUTCH

| REF. NO. | PART NO. | DESCRIPTION | BBM1 | | | | REMARKS |
|----------|--------------|------------------------------|------|--|--|--|---------|
| 1 | B65-E7620-00 | PRIMARY SLIDING SHEAVE COMP. | 1 | | | | |
| 2 | B65-E7632-00 | WEIGHT | 6 | | | | |
| 3 | 2DP-E7623-00 | CAM | 1 | | | | |
| 4 | 44D-E7653-00 | SLIDER | 3 | | | | |
| 5 | B6H-E7674-00 | COLLAR, GUIDE | 1 | | | | |
| 6 | 2DP-E7611-00 | SHEAVE, PRIMARY FIXED | 1 | | | | |
| 7 | B6H-E6620-00 | CLUTCH CARRIER ASSY | 1 | | | | |
| 8 | B65-E6626-00 | .SPRING, CLUTCH WEIGHT 1 | 3 | | | | |
| 9 | B6H-E7660-00 | SECONDARY FIXED SHEAVE COMP. | 1 | | | | |
| 10 | B6H-E7670-00 | SECONDARY SLIDING SHEAVE | 1 | | | | |
| 11 | 2DP-E7465-00 | SEAL | 2 | | | | |
| 12 | 2DP-E7465-10 | SEAL | 2 | | | | |
| 13 | B74-E7664-00 | PIN, GUIDE | 3 | | | | |
| 14 | 2DP-E7674-10 | COLLAR, GUIDE | 3 | | | | |
| 15 | B65-E7683-00 | SPRING, SECONDARY | 1 | | | | |
| 16 | 2DP-E7684-00 | SEAT, SECONDARY SPRING | 1 | | | | |
| 17 | 2DP-E7668-00 | NUT | 1 | | | | |
| 18 | B6H-E7678-00 | BEARING | 1 | | | | |
| 19 | 2DP-E5744-00 | CIRCLIP | 1 | | | | |
| 20 | 2DP-E7678-10 | BEARING | 1 | | | | |
| 21 | B65-E6611-00 | CLUTCH HOUSING COMP. | 1 | | | | |
| 22 | B65-E7641-00 | V-BELT | 1 | | | | |
| 23 | 90201-16819 | WASHER, PLATE | 1 | | | | |
| 24 | 90201-15849 | WASHER, PLATE | 1 | | | | |
| 25 | 90179-12004 | NUT | 1 | | | | |
| 26 | 90170-12802 | NUT | 1 | | | | |
| 27 | 933A6-202Y0 | BEARING | 1 | | | | |

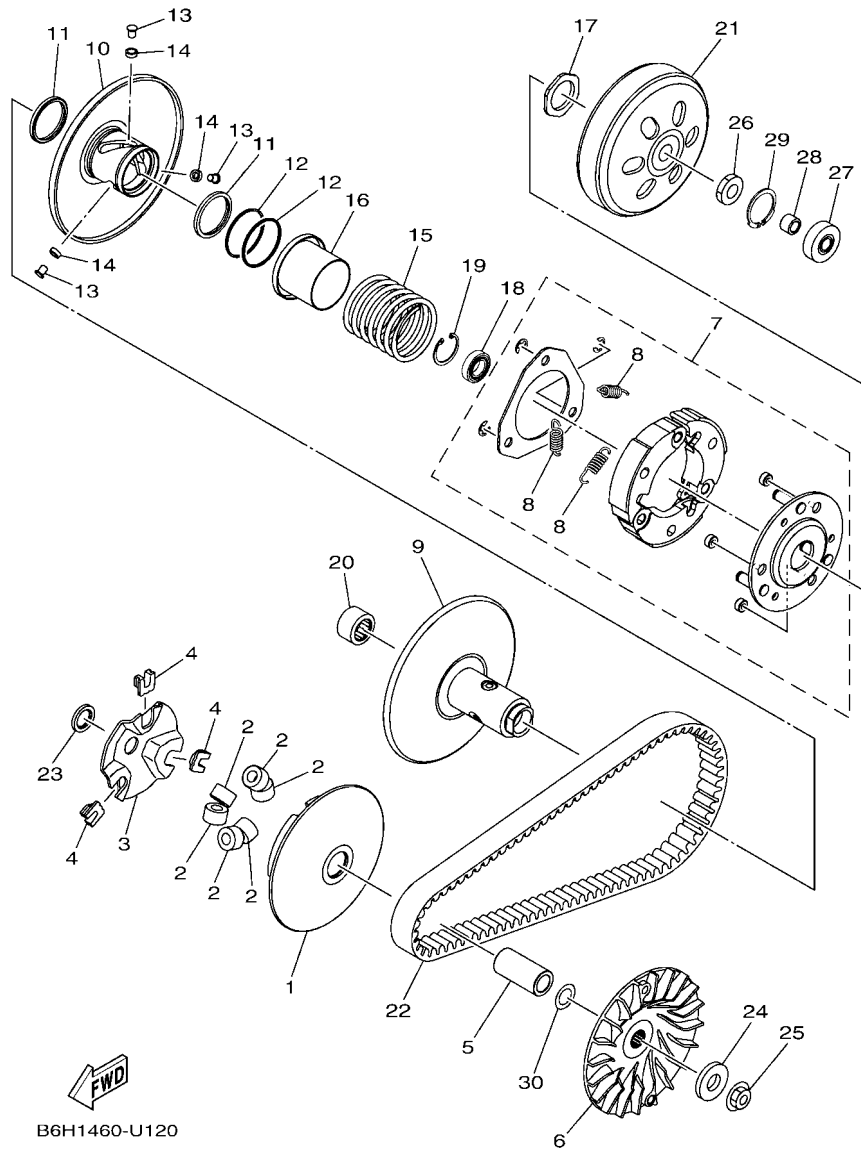
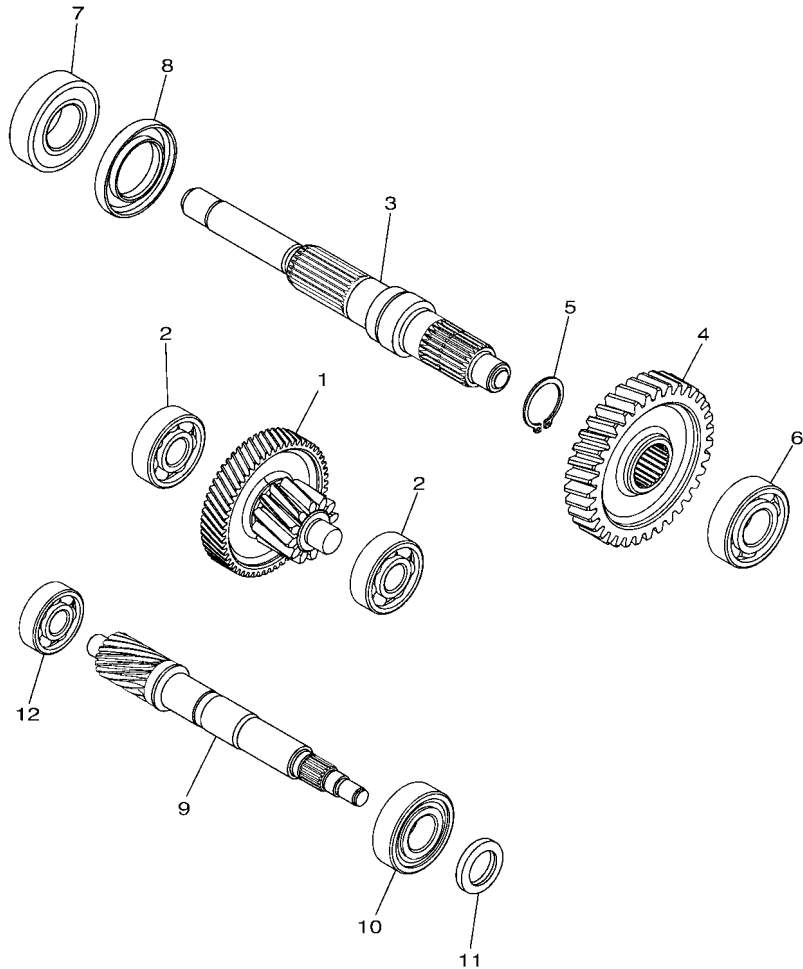


FIG. 12 CLUTCH

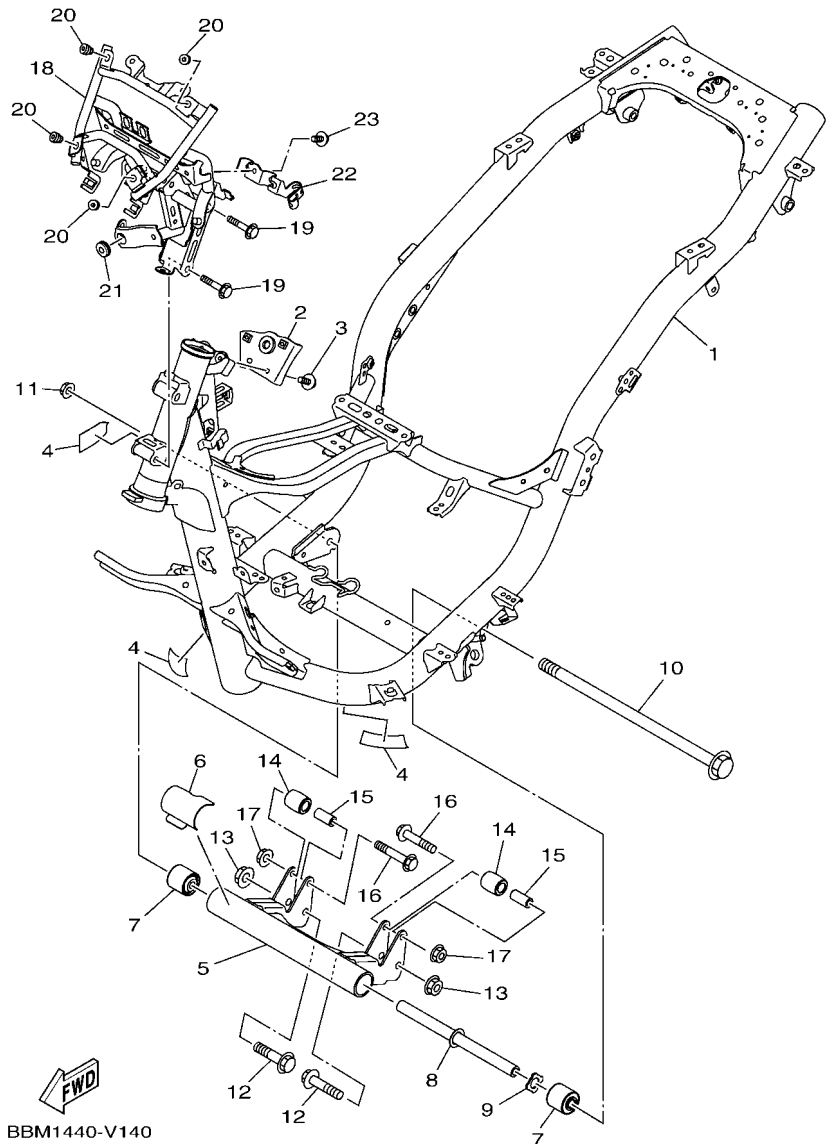
| REF. NO. | PART NO. | DESCRIPTION | BBM1 | | | | REMARKS |
|----------|-------------|---------------|------|--|--|--|---------|
| 28 | 90380-10800 | BUSH, SOLID | 1 | | | | |
| 29 | 99009-35700 | CIRCLIP | 1 | | | | |
| 30 | 90201-15847 | WASHER, PLATE | 1 | | | | |
| | | | | | | | |
| | | | | | | | |
| | | | | | | | |
| | | | | | | | |
| | | | | | | | |
| | | | | | | | |
| | | | | | | | |
| | | | | | | | |
| | | | | | | | |
| | | | | | | | |
| | | | | | | | |
| | | | | | | | |
| | | | | | | | |
| | | | | | | | |
| | | | | | | | |
| | | | | | | | |
| | | | | | | | |
| | | | | | | | |
| | | | | | | | |
| | | | | | | | |



BV3H300-V140

FIG. 13 TRANSMISSION

| REF. NO. | PART NO. | DESCRIPTION | BBM1 | | | | REMARKS |
|----------|--------------|---------------------------|------|--|--|--|-------------------|
| 1 | 2DP-E7410-01 | MAIN AXLE COMP. (12T/56T) | 1 | | | | UR EITHER CAN USE |
| | 2DP-E7410-10 | MAIN AXLE COMP. (12T/56T) | 1 | | | | UR EITHER CAN USE |
| | 2DP-E7410-20 | MAIN AXLE COMP. (12T/56T) | 1 | | | | UR EITHER CAN USE |
| | 2DP-E7410-30 | MAIN AXLE COMP. (12T/56T) | 1 | | | | UR EITHER CAN USE |
| 2 | 93306-302YU | BEARING | 2 | | | | |
| 3 | B6H-E7421-00 | AXLE, DRIVE | 1 | | | | |
| 4 | 2DP-E7211-00 | GEAR, 1ST WHEEL (35T) | 1 | | | | UR EITHER CAN USE |
| | 2DP-E7211-10 | GEAR, 1ST WHEEL (35T) | 1 | | | | UR EITHER CAN USE |
| 5 | 99009-25400 | CIRCLIP | 1 | | | | |
| 6 | 93306-303YW | BEARING | 1 | | | | |
| 7 | 93306-255YA | BEARING | 1 | | | | |
| 8 | 93102-32807 | OIL SEAL | 1 | | | | |
| 9 | B65-E6111-00 | GEAR, PRIMARY DRIVE (16T) | 1 | | | | UR EITHER CAN USE |
| | B65-E6111-10 | GEAR, PRIMARY DRIVE (16T) | 1 | | | | UR EITHER CAN USE |
| 10 | 93306-254Y5 | BEARING | 1 | | | | |
| 11 | 93102-20815 | OIL SEAL | 1 | | | | |
| 12 | 93306-351Y8 | BEARING | 1 | | | | |

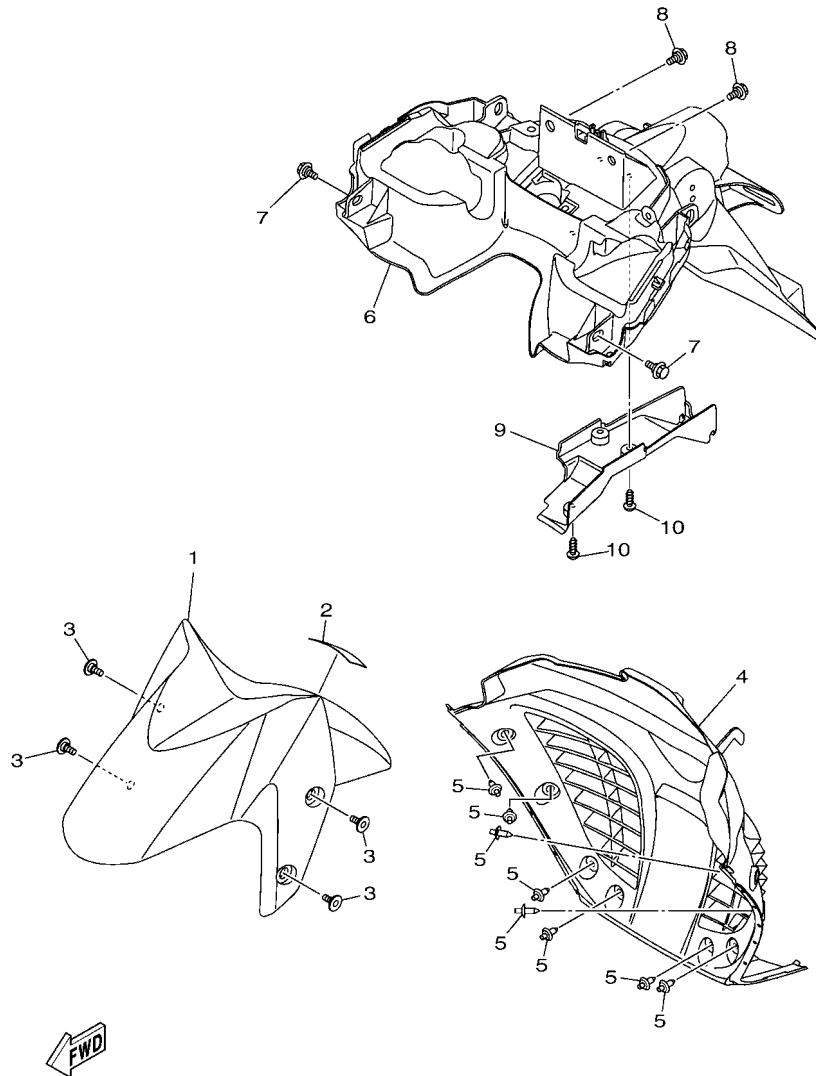


BBM1440-V140

FIG. 14 FRAME

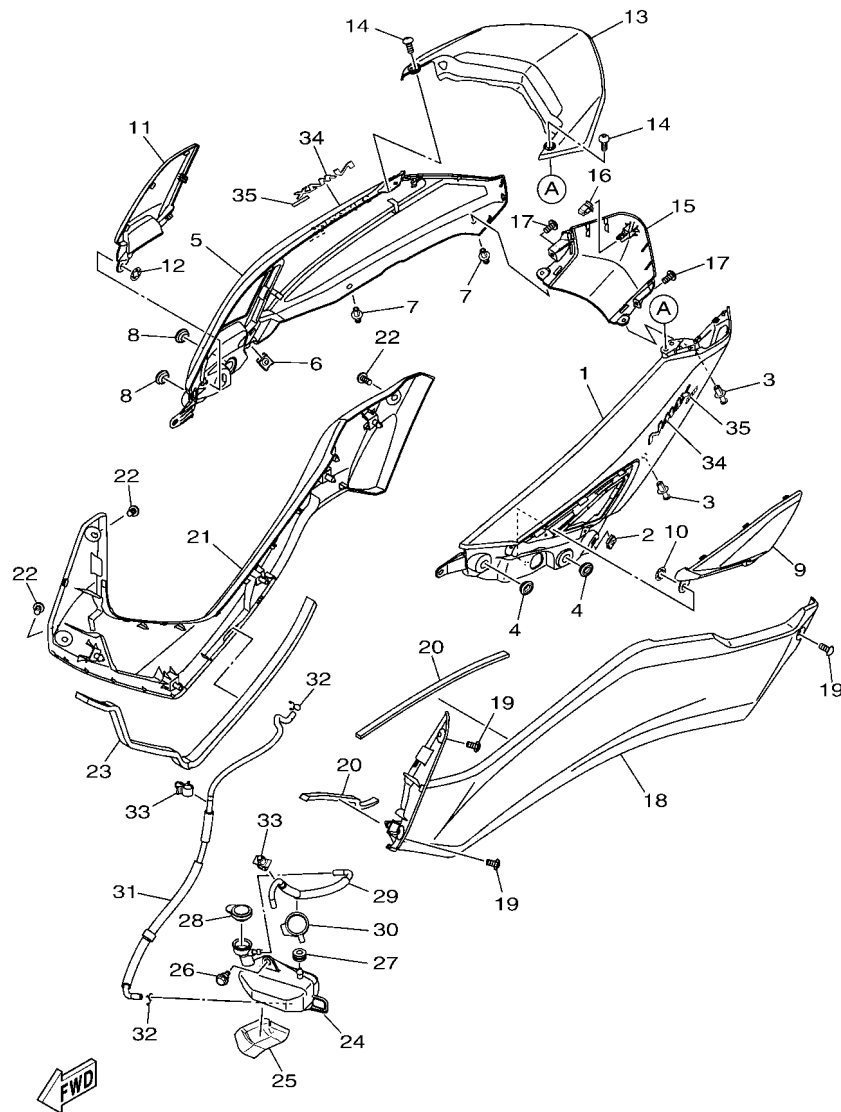
| REF. NO. | PART NO. | DESCRIPTION | BBM1 | | | | REMARKS |
|----------|--------------|--------------------------|------|--|--|--|---------|
| 1 | B6H-F1110-00 | FRAME COMP. | 1 | | | | |
| 2 | B6H-H251P-00 | BRACKET, MAIN SWITCH | 1 | | | | |
| 3 | 90109-06318 | BOLT | 2 | | | | |
| 4 | 5D9-F414G-00 | SEAL | 3 | | | | |
| 5 | B6H-F1410-00 | ENGINE BRACKET COMP. | 1 | | | | |
| 6 | B65-F117G-00 | PROTECTOR | 1 | | | | |
| 7 | 90388-10818 | DAMPER | 2 | | | | |
| 8 | 90387-10857 | COLLAR | 1 | | | | |
| 9 | B65-F113B-00 | DAMPER | 1 | | | | |
| 10 | B65-F2141-00 | SHAFT, PIVOT | 1 | | | | |
| 11 | 95602-10200 | NUT, S/L FLANGE | 1 | | | | |
| 12 | 90105-10283 | BOLT, FLANGE | 2 | | | | |
| 13 | 95602-10200 | NUT, S/L FLANGE | 2 | | | | |
| 14 | 5P2-F7114-00 | STOPPER, MAIN STAND | 2 | | | | |
| 15 | 90387-08821 | COLLAR | 2 | | | | |
| 16 | 90105-088E3 | BOLT, FLANGE | 2 | | | | |
| 17 | 95602-08200 | NUT, U FLANGE | 2 | | | | |
| 18 | B6H-F8356-00 | STAY 1 | 1 | | | | |
| 19 | 95D32-08050 | BOLT, FLANGE DEEP RECESS | 2 | | | | |
| 20 | 90179-05003 | NUT | 4 | | | | |
| 21 | 90480-17802 | GROMMET | 1 | | | | |
| 22 | B6H-F588F-00 | HOLDER, BRAKE HOSE 5 | 1 | | | | |
| 23 | 95D32-06012 | BOLT, FLANGE DEEP RECESS | 1 | | | | |

FIG. 15 FENDER



BBM1440-V150

| REF. NO. | PART NO. | DESCRIPTION | BBM1 | | | | REMARKS |
|----------|-----------------|----------------|------|--|--|--|--------------|
| 1 | 2DP-F1511-00-P5 | FENDER, FRONT | 1 | | | | UR FOR MDRM3 |
| | 2DP-F1511-00-PA | FENDER, FRONT | 1 | | | | UR FOR MDNMA |
| 2 | 5D9-F414G-00 | SEAL | 1 | | | | |
| 3 | 90109-068A4 | BOLT | 4 | | | | |
| 4 | B6H-F1552-00 | FENDER, INNER | 1 | | | | |
| 5 | 90269-06816 | RIVET | 8 | | | | |
| 6 | B6H-F1611-30 | FENDER, REAR | 1 | | | | |
| 7 | 90109-068B2 | BOLT | 2 | | | | |
| 8 | 90109-068C7 | BOLT | 2 | | | | |
| 9 | B6H-F162R-00 | FENDER 2 | 1 | | | | |
| 10 | 97702-50016 | SCREW, TAPPING | 3 | | | | |

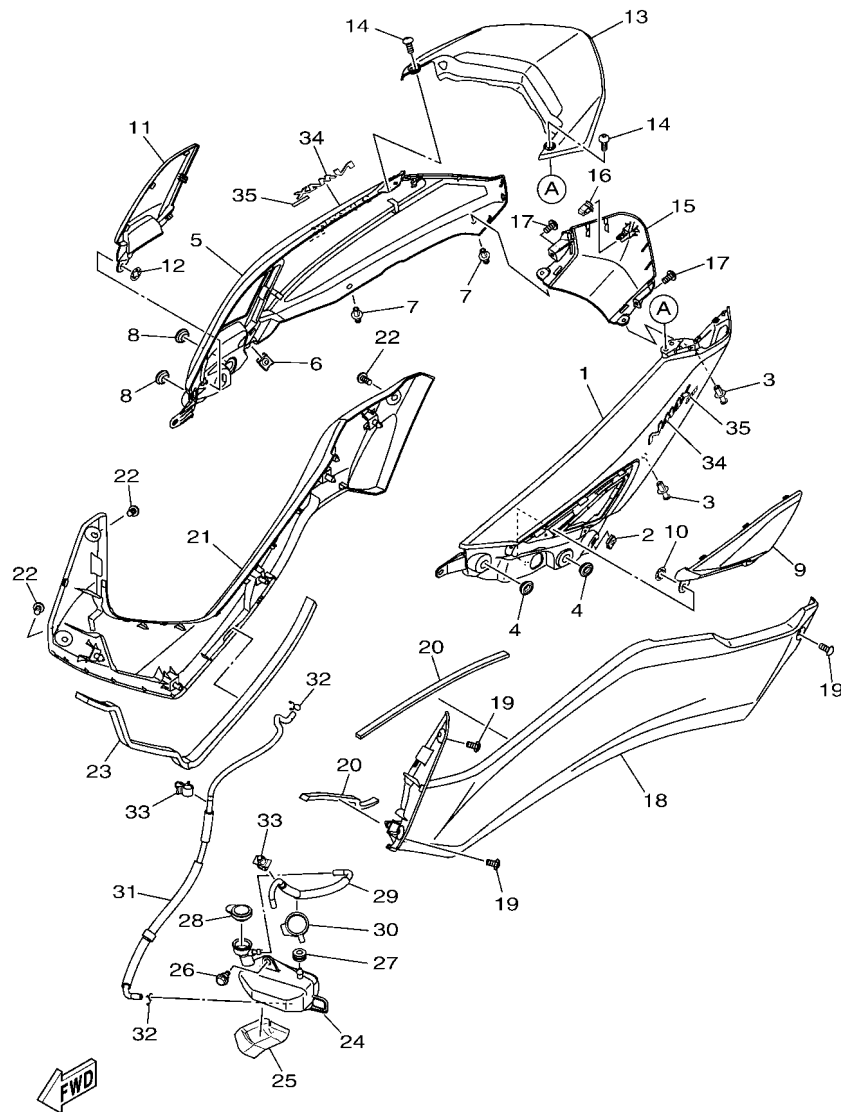


B6H1460-U160

FIG. 16 SIDE COVER

| REF. NO. | PART NO. | DESCRIPTION | BBM1 | | REMARKS |
|----------|-----------------|---------------------------|------|--|--------------|
| 1 | B6H-F1711-00-P5 | COVER, SIDE 1 | 1 | | UR FOR MDRM3 |
| | B6H-F1711-00-P6 | COVER, SIDE 1 | 1 | | UR FOR MDNMA |
| 2 | 90183-05807 | NUT, SPRING | 1 | | |
| 3 | 90269-06816 | RIVET | 2 | | |
| 4 | 90480-01559 | GROMMET | 2 | | |
| 5 | B6H-F1721-00-P5 | COVER, SIDE 2 | 1 | | UR FOR MDRM3 |
| | B6H-F1721-00-P6 | COVER, SIDE 2 | 1 | | UR FOR MDNMA |
| 6 | 90183-05807 | NUT, SPRING | 1 | | |
| 7 | 90269-06816 | RIVET | 2 | | |
| 8 | 90480-01559 | GROMMET | 2 | | |
| 9 | B6H-F171E-00 | COVER, SIDE 5 | 1 | | |
| 10 | 90183-06815 | NUT, SPRING | 1 | | |
| 11 | B6H-F171X-00 | COVER, SIDE 6 | 1 | | |
| 12 | 90183-06815 | NUT, SPRING | 1 | | |
| 13 | B6H-H4716-00 | COVER, TAILLIGHT | 1 | | |
| 14 | 97707-50016 | SCREW, TRUSS HEAD TAPPING | 2 | | |
| 15 | B6H-F1651-00-P5 | COVER, REAR FENDER | 1 | | UR FOR MDRM3 |
| | B6H-F1651-00-P6 | COVER, REAR FENDER | 1 | | UR FOR MDNMA |
| 16 | 90464-07018 | CLAMP | 1 | | |
| 17 | 97702-50016 | SCREW, TAPPING | 2 | | |
| 18 | B6H-F1731-00-P3 | COVER, SIDE 3 | 1 | | SM12 |
| 19 | 90160-05810 | SCREW, ROUND TAPPING | 3 | | |
| 20 | 90520-10854 | DAMPER, PLATE | 2 | | |
| 21 | B6H-F1741-00-P3 | COVER, SIDE 4 | 1 | | SM12 |
| 22 | 90160-05810 | SCREW, ROUND TAPPING | 3 | | |
| 23 | 90520-15817 | DAMPER, PLATE | 1 | | |
| 24 | B65-F1871-00 | TANK, RECOVERY | 1 | | |

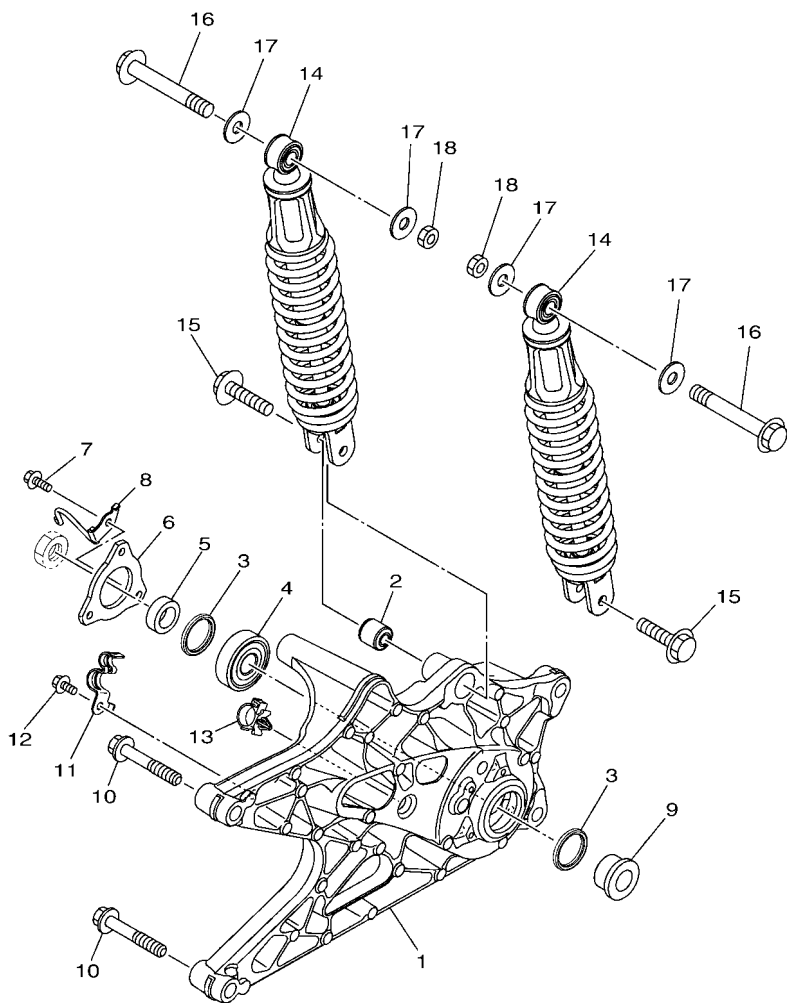
FIG. 16 SIDE COVER



B6H1460-U160

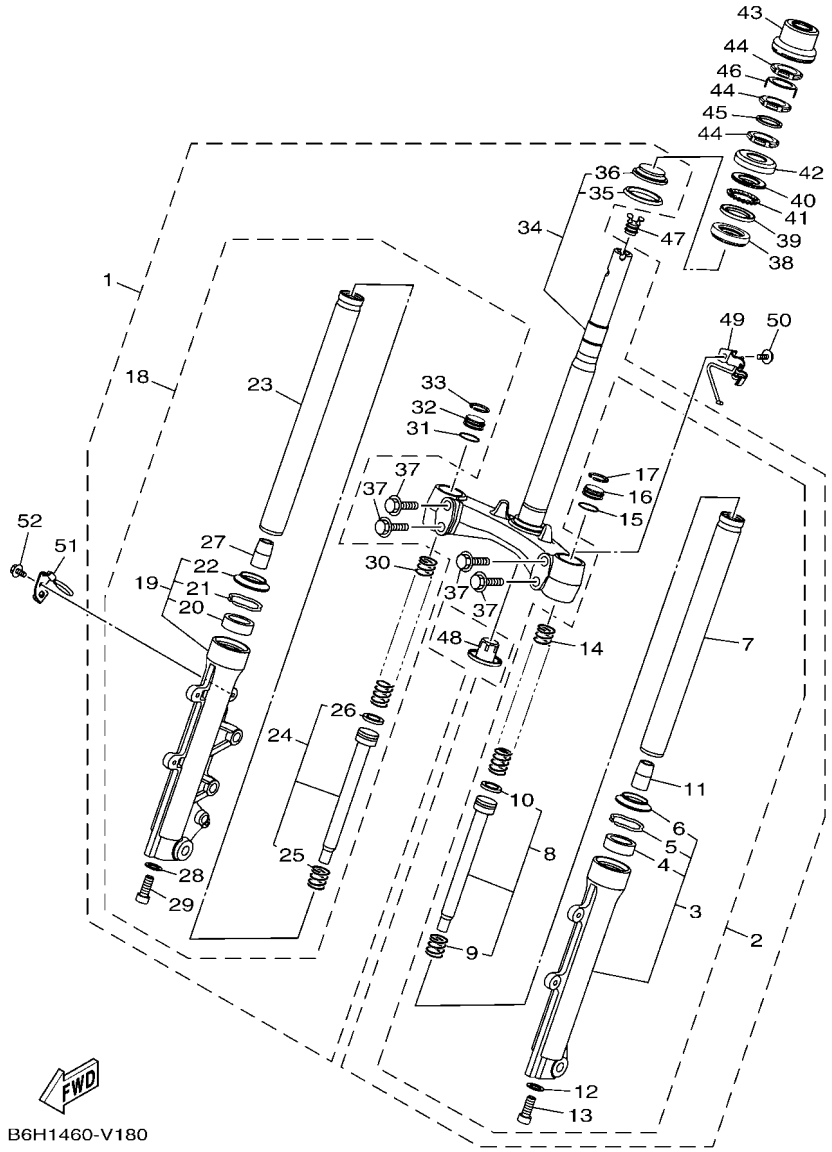
| REF. NO. | PART NO. | DESCRIPTION | BBM1 | | | | REMARKS |
|----------|--------------|-------------|------|--|--|--|--------------|
| 25 | B6H-F1746-00 | DAMPER | 1 | | | | |
| 26 | 90109-068B2 | BOLT | 1 | | | | |
| 27 | 90480-14808 | GROMMET | 1 | | | | |
| 28 | 1S7-F1875-01 | CAP | 1 | | | | |
| 29 | B6H-F1816-00 | PIPE 1 | 1 | | | | |
| 30 | 90464-30001 | CLAMP | 1 | | | | |
| 31 | B6H-F1817-00 | PIPE 2 | 1 | | | | |
| 32 | 90467-08003 | CLIP | 2 | | | | |
| 33 | 90464-07805 | CLAMP | 2 | | | | |
| 34 | 2DP-F173B-00 | EMBLEM 3D | 2 | | | | UR FOR MDRM3 |
| | 2DP-F173B-40 | EMBLEM 3D | 2 | | | | UR FOR MDNMA |
| 35 | B6H-F173E-40 | GRAPHIC 1 | 2 | | | | UR FOR MDRM3 |
| | B6H-F173E-60 | GRAPHIC 1 | 2 | | | | UR FOR MDNMA |

FIG. 17 REAR ARM & SUSPENSION



B1T1431-U170

| REF. NO. | PART NO. | DESCRIPTION | BBM1 | | | | REMARKS |
|----------|--------------|---------------------------|------|--|--|--|-------------------|
| 1 | B6H-F2171-00 | ARM, REAR 1 | 1 | | | | |
| 2 | 5MX-F2216-00 | BUSH, REAR SHOCK ABSORBER | 1 | | | | UR EITHER CAN USE |
| | 90388-08803 | DAMPER | 1 | | | | UR EITHER CAN USE |
| 3 | 93106-28801 | OIL SEAL | 2 | | | | |
| 4 | 93306-303YX | BEARING | 1 | | | | |
| 5 | 90387-17807 | COLLAR | 1 | | | | |
| 6 | 2DP-F2117-00 | CAP | 1 | | | | |
| 7 | 95D37-06016 | BOLT, FLANGE DEEP RECESS | 3 | | | | |
| 8 | B6H-F588G-00 | HOLDER, BRAKE HOSE 6 | 1 | | | | |
| 9 | 90387-17808 | COLLAR | 1 | | | | |
| 10 | 95D32-10060 | BOLT, FLANGE DEEP RECESS | 2 | | | | |
| 11 | B6H-F5886-00 | HOLDER, BRAKE HOSE | 1 | | | | |
| 12 | 95D32-06012 | BOLT, FLANGE DEEP RECESS | 1 | | | | |
| 13 | 90464-16006 | CLAMP | 1 | | | | |
| 14 | B1T-F2210-00 | SHOCK ABSORBER ASSY, REAR | 2 | | | | |
| 15 | 90105-088E8 | BOLT, FLANGE | 2 | | | | |
| 16 | 90105-108C1 | BOLT, FLANGE | 2 | | | | |
| 17 | 90201-10853 | WASHER, PLATE | 4 | | | | |
| 18 | 95302-10600 | NUT, HEXAGON | 2 | | | | |



B6H1460-V180

FIG. 18 STEERING

| REF. NO. | PART NO. | DESCRIPTION | BBM1 | | | | REMARKS |
|----------|--------------|------------------------------|------|--|--|--|---------|
| 1 | B6H-F3100-00 | FRONT FORK ASSY | 1 | | | | |
| 2 | B6H-F3102-00 | .FRONT FORK ASSY (L.H) | 1 | | | | |
| 3 | 2DP-F3126-00 | ..TUBE, OUTER (L.H) | 1 | | | | |
| 4 | 3HB-F3145-00 | ...OIL SEAL | 1 | | | | |
| 5 | 3V3-F3156-00 | ...RING, SNAP | 1 | | | | |
| 6 | 3HB-F3144-00 | ...SEAL, DUST | 1 | | | | |
| 7 | 2DP-F3110-00 | ..INNER TUBE COMP.1 | 1 | | | | |
| 8 | 2DP-F3170-00 | ..CYLINDER COMP., FRONT FORK | 1 | | | | |
| 9 | 2K5-23152-00 | ...SPRING, SUB | 1 | | | | |
| 10 | 2DP-F3157-00 | ...RING, PISTON | 1 | | | | |
| 11 | 2DP-F3173-00 | ..SPINDLE, TAPER | 1 | | | | |
| 12 | 2BU-F3158-00 | ..GASKET | 1 | | | | |
| 13 | 278-F3181-50 | ..BOLT, HEXAGON SOCKET HEAD | 1 | | | | |
| 14 | B6H-F3141-00 | ..SPRING, FRONT FORK | 1 | | | | |
| 15 | 3Y6-23114-00 | ..GASKET | 1 | | | | |
| 16 | 2DP-F3111-00 | ..BOLT, CAP | 1 | | | | |
| 17 | 2DP-F3153-00 | ..RING, SNAP | 1 | | | | |
| 18 | B6H-F3103-00 | .FRONT FORK ASSY (R.H) | 1 | | | | |
| 19 | 2DP-F3136-00 | ..TUBE, OUTER | 1 | | | | |
| 20 | 3HB-F3145-00 | ...OIL SEAL | 1 | | | | |
| 21 | 3V3-F3156-00 | ...RING, SNAP | 1 | | | | |
| 22 | 3HB-F3144-00 | ...SEAL, DUST | 1 | | | | |
| 23 | 2DP-F3110-00 | ..INNER TUBE COMP.1 | 1 | | | | |
| 24 | 2DP-F3170-00 | ..CYLINDER COMP., FRONT FORK | 1 | | | | |
| 25 | 2K5-23152-00 | ...SPRING, SUB | 1 | | | | |
| 26 | 2DP-F3157-00 | ...RING, PISTON | 1 | | | | |
| 27 | 2DP-F3173-00 | ..SPINDLE, TAPER | 1 | | | | |

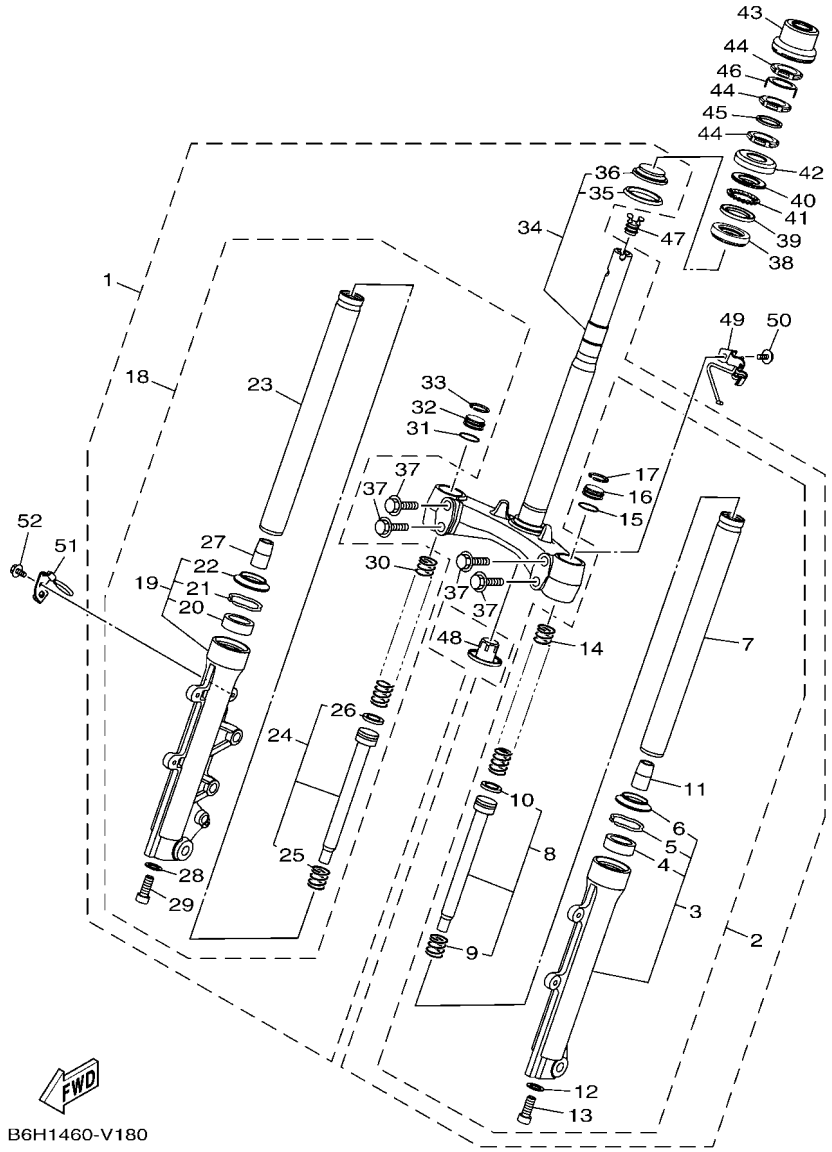
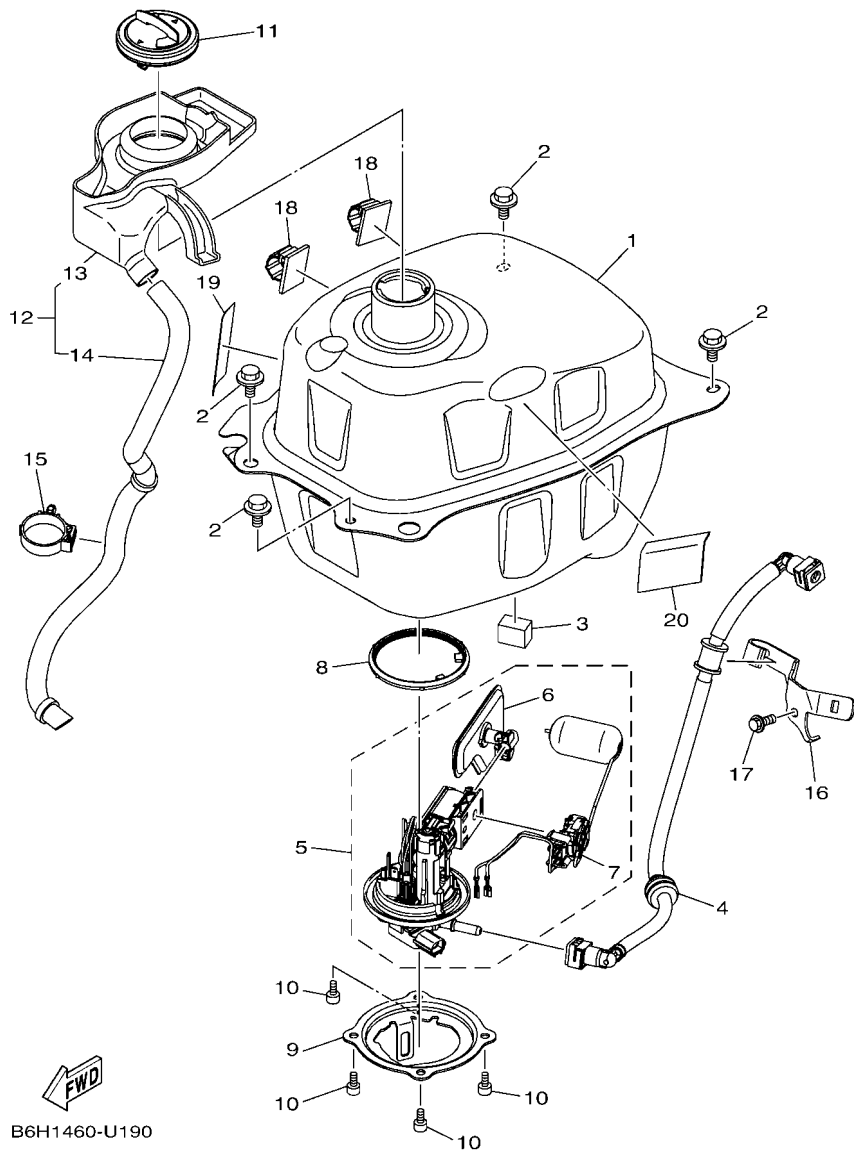


FIG. 18 STEERING

| REF. NO. | PART NO. | DESCRIPTION | BBM1 | | | | REMARKS |
|----------|--------------|-----------------------------|------|--|--|--|---------|
| 28 | 2BU-F3158-00 | ..GASKET | 1 | | | | |
| 29 | 278-F3181-50 | ..BOLT, HEXAGON SOCKET HEAD | 1 | | | | |
| 30 | B6H-F3141-00 | ..SPRING, FRONT FORK | 1 | | | | |
| 31 | 3Y6-23114-00 | ..GASKET | 1 | | | | |
| 32 | 2DP-F3111-00 | ..BOLT, CAP | 1 | | | | |
| 33 | 2DP-F3153-00 | ..RING, SNAP | 1 | | | | |
| 34 | B6H-F2403-00 | ..UNDER BRACKET COMP | 1 | | | | |
| 35 | B63-F3462-00 | ..SEAL, DUST | 1 | | | | |
| 36 | 2TD-F3875-00 | ..BEARING, STEERING LOWER | 1 | | | | |
| 37 | 5YW-F3346-10 | ..BOLT 1 | 4 | | | | |
| 38 | 2TD-F3873-00 | BEARING, STEERING UPPER | 1 | | | | |
| 39 | 4RT-F3412-10 | RACE, BALL 2 | 1 | | | | |
| 40 | 4RT-F3411-10 | RACE, BALL 1 | 1 | | | | |
| 41 | 1P6-F341E-10 | RETAINER, BALL BEARING | 1 | | | | |
| 42 | 3AY-F3416-00 | COVER, BALL RACE 2 | 1 | | | | |
| 43 | B65-F3415-00 | COVER, BALL RACE 1 | 1 | | | | |
| 44 | 90179-25810 | NUT | 3 | | | | |
| 45 | 90202-26142 | WASHER, PLATE | 1 | | | | |
| 46 | 1PA-F3418-00 | WASHER, SPECIAL | 1 | | | | |
| 47 | B6H-F312G-00 | PLUG, HOLE | 1 | | | | |
| 48 | B65-F3123-00 | COVER, UNDER 1 | 1 | | | | |
| 49 | B6H-F5875-00 | HOLDER, BRAKE HOSE 1 | 1 | | | | |
| 50 | 95D02-06012 | BOLT, FLANGE DEEP RECESS | 1 | | | | |
| 51 | B6H-F5876-00 | HOLDER, BRAKE HOSE 2 | 1 | | | | |
| 52 | 95D02-06012 | BOLT, FLANGE DEEP RECESS | 1 | | | | |



B6H1460-U190

FIG. 19 FUEL TANK

| REF. NO. | PART NO. | DESCRIPTION | BBM1 | | | | REMARKS |
|----------|--------------|-------------------------------|------|--|--|--|---------|
| 1 | B6H-F4110-00 | FUEL TANK COMP. | 1 | | | | |
| 2 | 90119-068B7 | BOLT, WITH WASHER | 4 | | | | |
| 3 | 90520-15803 | DAMPER, PLATE | 1 | | | | |
| 4 | B6H-E3971-00 | PIPE, FUEL 1 | 1 | | | | |
| 5 | B6H-E3907-00 | FUEL PUMP COMP. | 1 | | | | |
| 6 | 54P-E3915-00 | .FILTER, FUEL SUCTION | 1 | | | | |
| 7 | BK6-H5752-00 | .SENDER UNIT ASSY, FUEL METER | 1 | | | | |
| 8 | 54P-F414G-10 | SEAL | 1 | | | | |
| 9 | B6H-F4491-00 | BRACKET, FUEL PUMP | 1 | | | | |
| 10 | 91312-05010 | BOLT, HEXAGON SOCKET HEAD | 4 | | | | |
| 11 | B6H-F4610-01 | CAP ASSY | 1 | | | | |
| 12 | B6H-F414A-00 | COVER, FILLER | 1 | | | | |
| 13 | B6H-F4217-00 | .COVER | 1 | | | | |
| 14 | B6H-F4318-00 | .PIPE, OVERFLOW | 1 | | | | |
| 15 | 90464-30001 | CLAMP | 1 | | | | |
| 16 | B6H-F419A-00 | HOLDER | 1 | | | | |
| 17 | 95E37-06012 | BOLT, FLANGE DEEP RECESS | 1 | | | | |
| 18 | 90464-14002 | CLAMP | 2 | | | | |
| 19 | 5D9-F414G-00 | SEAL | 1 | | | | |
| 20 | 5TP-F139X-00 | DAMPER | 1 | | | | |

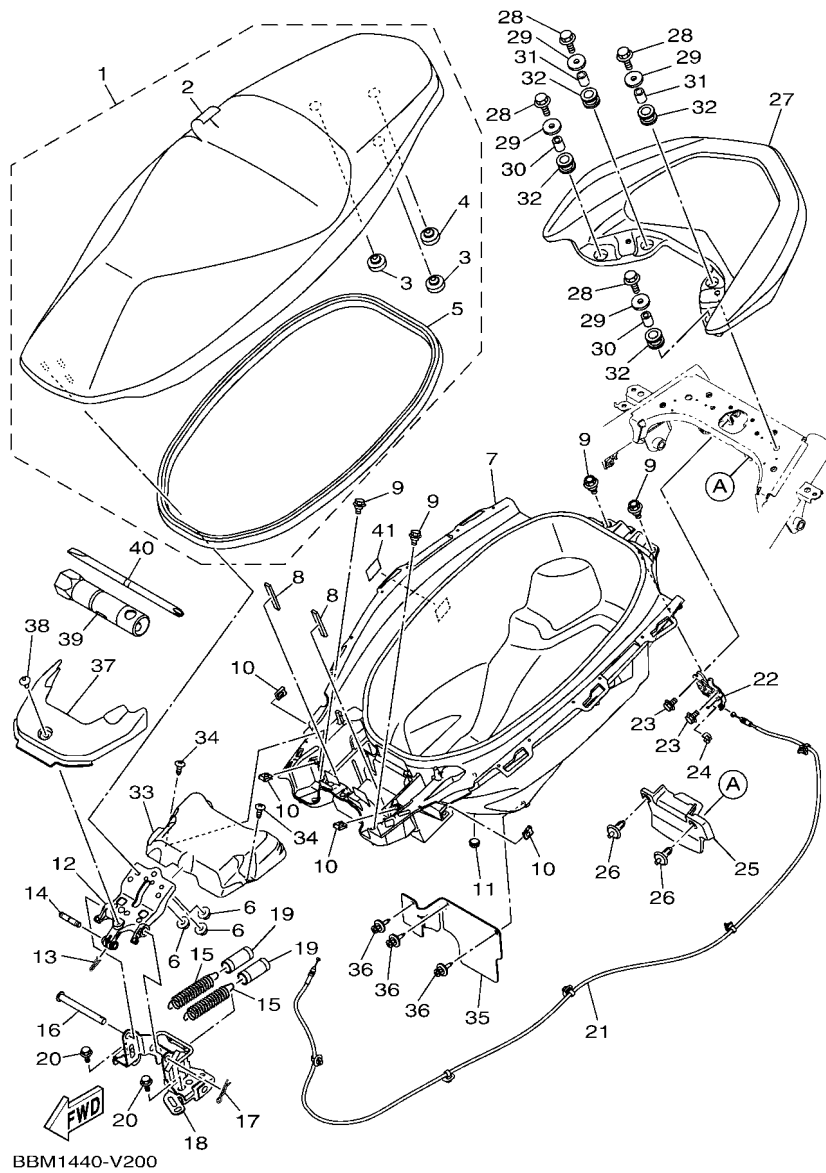


FIG. 20 SEAT

| REF. NO. | PART NO. | DESCRIPTION | BBM1 | | | REMARKS |
|----------|-----------------|--------------------------|------|--|--|---------|
| 1 | B6H-F4730-00 | DOUBLE SEAT ASSY | 1 | | | |
| 2 | B6H-F470F-00 | .SEAT COVER COMP. | 1 | | | |
| 3 | 5BP-F4741-00 | .PAD, SEAT | 2 | | | |
| 4 | 3C1-F4741-00 | .PAD, SEAT | 1 | | | |
| 5 | B6H-F475M-00 | .SEAL | 1 | | | |
| 6 | 95702-06500 | NUT, FLANGE | 3 | | | |
| 7 | B6H-F473R-00 | BOX 1 | 1 | | | |
| 8 | 90520-04806 | DAMPER, PLATE | 2 | | | |
| 9 | 90109-068B2 | BOLT | 4 | | | |
| 10 | 90183-05807 | NUT, SPRING | 4 | | | |
| 11 | 4US-F6199-00 | PLUG, BLIND | 1 | | | |
| 12 | B6H-F4769-00 | HINGE, SEAT | 1 | | | |
| 13 | 90468-08086 | CLIP | 1 | | | |
| 14 | B6H-F4811-00 | HOOK, STRING | 1 | | | |
| 15 | 90506-23815 | SPRING, TENSION | 2 | | | |
| 16 | B74-F4727-00 | PIN, SEAT FITTING | 1 | | | |
| 17 | 90468-18121 | CLIP | 1 | | | |
| 18 | B6H-F472A-00 | SUPT. ,BATTERY | 1 | | | |
| 19 | B6H-F247C-00 | HOSE 3 | 2 | | | |
| 20 | 90119-06212 | BOLT, WITH WASHER | 2 | | | |
| 21 | B6H-F478E-00 | CABLE, SEAT LOCK | 1 | | | |
| 22 | 40D-F4780-01 | SEAT LOCK ASSY | 1 | | | |
| 23 | 95E32-06012 | BOLT, FLANGE DEEP RECESS | 2 | | | |
| 24 | 1S7-F4768-00 | STOPPER | 1 | | | |
| 25 | B6H-F472T-00 | COVER, SEAT LOCK | 1 | | | |
| 26 | 90269-06816 | RIVET | 2 | | | |
| 27 | B6H-F4773-01-P2 | HANDLE, SEAT | 1 | | | SM12 |

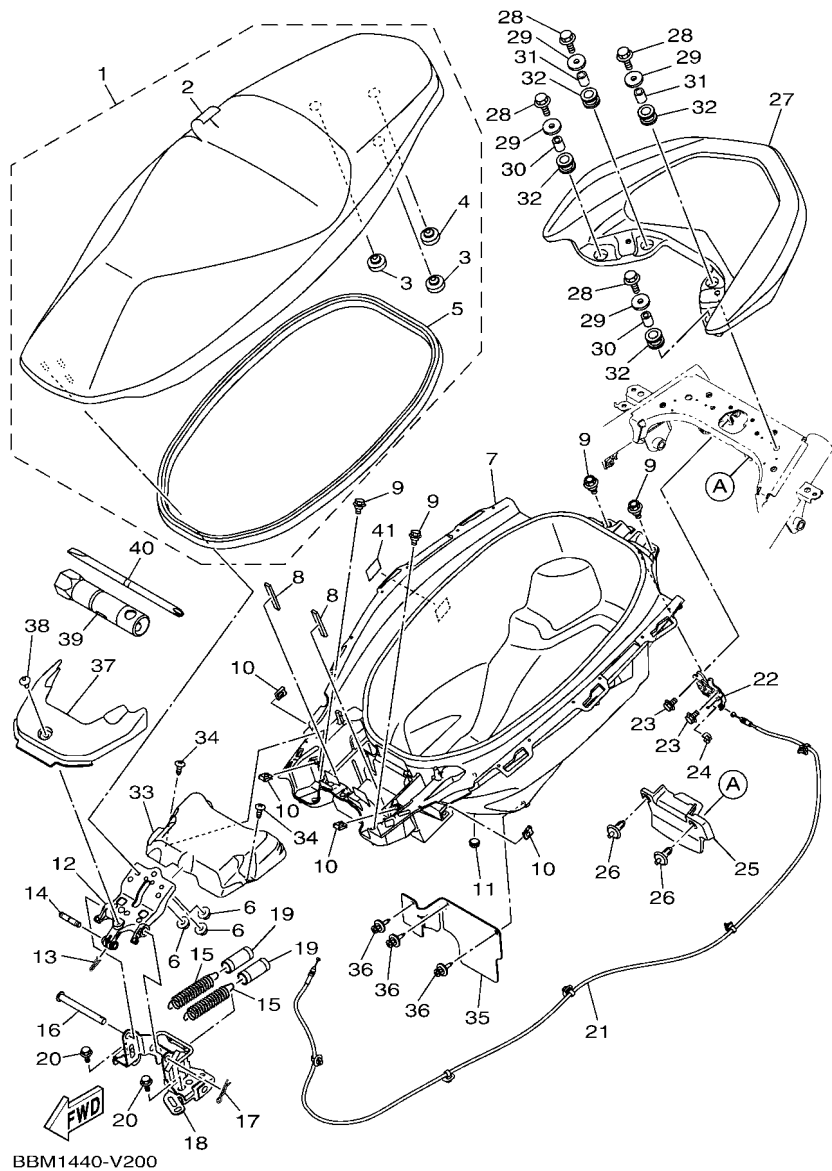


FIG. 20 SEAT

| REF. NO. | PART NO. | DESCRIPTION | BBM1 | | | | REMARKS |
|----------|--------------|---------------------------|------|--|--|--|---------|
| 28 | 95D32-08035 | BOLT, FLANGE DEEP RECESS | 4 | | | | |
| 29 | 90201-08884 | WASHER, PLATE | 4 | | | | |
| 30 | 90387-08847 | COLLAR | 2 | | | | |
| 31 | 90387-10867 | COLLAR | 2 | | | | |
| 32 | 90480-19802 | GROMMET | 4 | | | | |
| 33 | B6H-H2129-10 | COVER, BATTERY | 1 | | | | |
| 34 | 97707-50012 | SCREW, TRUSS HEAD TAPPING | 2 | | | | |
| 35 | B6H-F1621-00 | FLAP | 1 | | | | |
| 36 | 90269-06812 | RIVET | 3 | | | | |
| 37 | B6H-F842N-00 | COVER 2 | 1 | | | | |
| 38 | 90111-05816 | BOLT, HEX. SOCKET BUTTON | 1 | | | | |
| 39 | 2DP-F814F-00 | BOX, SPARK PLUG | 1 | | | | |
| 40 | 3AY-F8152-00 | DRIVER | 1 | | | | |
| 41 | BC1-F1668-00 | LABEL, TIRE | 1 | | | | |

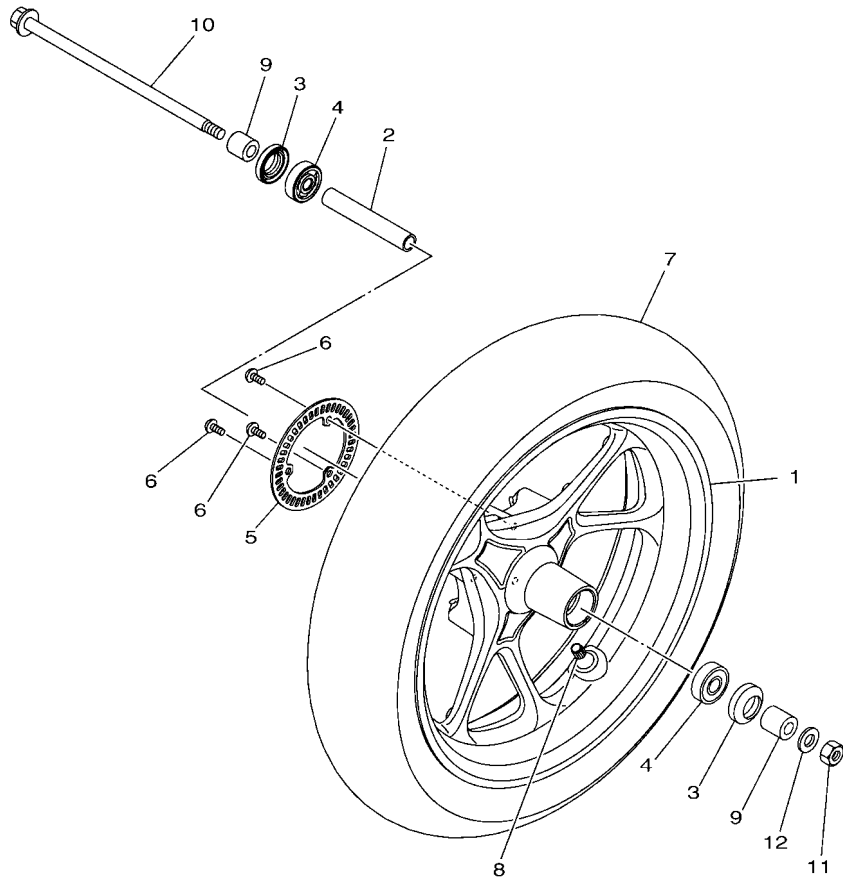


FIG. 21 FRONT WHEEL

| REF. NO. | PART NO. | DESCRIPTION | BBM1 | | | | REMARKS |
|----------|-----------------|-------------------------|------|--|--|--|-----------------|
| 1 | B6H-F5168-00-33 | CAST WHEEL, FRONT | 1 | | | | YB FOR MDRM3 |
| | B6H-F5168-00-P2 | CAST WHEEL, FRONT | 1 | | | | LNMYD FOR MDNMA |
| 2 | 90387-10839 | COLLAR | 1 | | | | |
| 3 | 93106-20816 | OIL SEAL | 2 | | | | |
| 4 | 93306-300YN | BEARING | 2 | | | | |
| 5 | 2DP-F517G-00 | ROTOR, SENSOR | 1 | | | | |
| 6 | 90149-05030 | SCREW | 3 | | | | |
| 7 | 94111-13803 | TIRE (110/70-13M/C 48P) | 1 | | | | INOUE |
| 8 | 93900-00824 | VALVE, RIM | 1 | | | | |
| 9 | 90387-10277 | COLLAR | 2 | | | | |
| 10 | 2DP-F5181-00 | AXLE, WHEEL | 1 | | | | |
| 11 | 90185-10012 | NUT, SELF-LOCKING | 1 | | | | |
| 12 | 90201-10831 | WASHER, PLATE | 1 | | | | |



B6H1460-U210

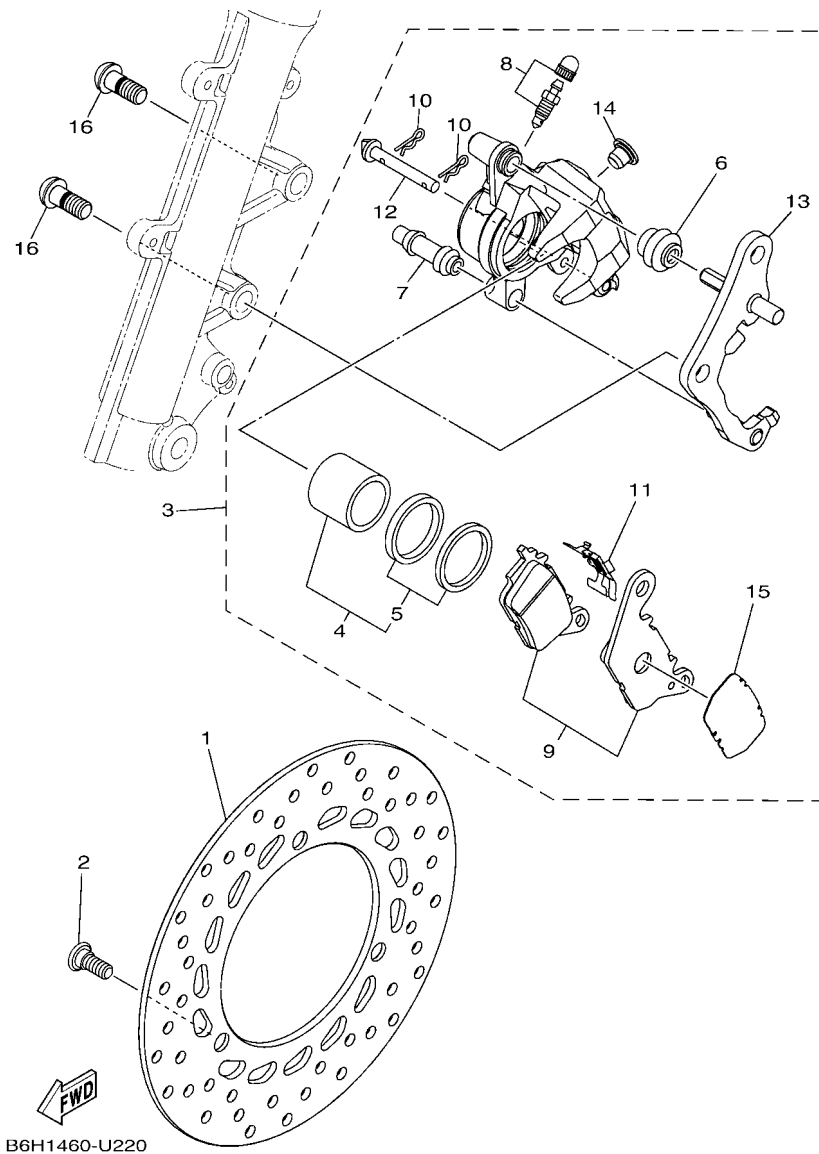
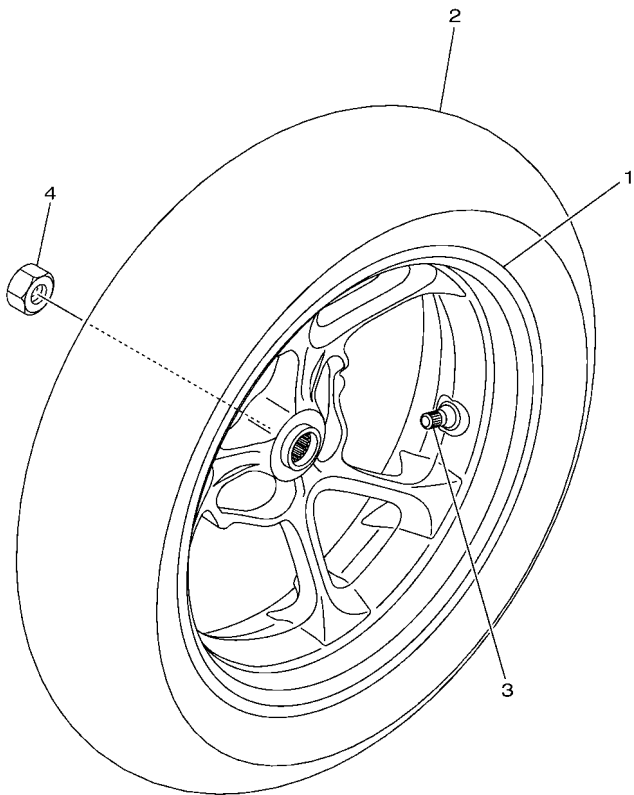


FIG. 22 FRONT BRAKE CALIPER

| REF. NO. | PART NO. | DESCRIPTION | BBM1 | | | | REMARKS |
|----------|--------------|-----------------------|------|--|--|--|---------|
| 1 | 2DP-F582U-00 | DISK, BRAKE (RIGHT) | 1 | | | | |
| 2 | 90109-08232 | BOLT | 3 | | | | |
| 3 | B6H-F580U-00 | CALIPER ASSY (RIGHT) | 1 | | | | |
| 4 | 2BM-F5802-00 | .PISTON ASSY, CALIPER | 1 | | | | |
| 5 | 5YP-F5803-50 | .CALIPER SEAL KIT | 1 | | | | |
| 6 | 2BM-F5917-00 | .BOOT, CALIPER | 1 | | | | |
| 7 | 5YP-F5937-00 | .BOOT 2 | 1 | | | | |
| 8 | 4C9-W0048-00 | .BLEED SCREW KIT | 1 | | | | |
| 9 | 2DP-F5805-00 | .BRAKE PAD KIT | 1 | | | | |
| 10 | 5YP-F5925-01 | .CLIP | 2 | | | | |
| 11 | 2BM-F5919-00 | .SUPPORT, PAD | 1 | | | | |
| 12 | 5YP-F5924-00 | .PIN, PAD | 1 | | | | |
| 13 | 2DP-F5920-00 | .SUPT. BRKT. ASSY. | 1 | | | | |
| 14 | 2R6-F5916-00 | .PLUG | 1 | | | | |
| 15 | B8A-F5827-00 | .SHIM, CALIPER | 1 | | | | |
| 16 | 90149-10805 | SCREW | 2 | | | | |
| | | | | | | | |
| | | | | | | | |
| | | | | | | | |
| | | | | | | | |

FIG. 23 REAR WHEEL

| REF. NO. | PART NO. | DESCRIPTION | BBM1 | | | | REMARKS |
|----------|-----------------|-------------------------|------|--|--|--|-----------------|
| 1 | B6H-F5338-00-33 | CAST WHEEL, REAR | 1 | | | | YB FOR MDRM3 |
| | B6H-F5338-00-P2 | CAST WHEEL, REAR | 1 | | | | LNMYD FOR MDNMA |
| 2 | 94113-13809 | TIRE (130/70-13M/C 63P) | 1 | | | | INOUE |
| 3 | 93900-00824 | VALVE, RIM | 1 | | | | |
| 4 | 90185-16800 | NUT, SELF-LOCKING | 1 | | | | |
| <hr/> | | | | | | | |
| <hr/> | | | | | | | |
| <hr/> | | | | | | | |
| <hr/> | | | | | | | |
| <hr/> | | | | | | | |
| <hr/> | | | | | | | |
| <hr/> | | | | | | | |
| <hr/> | | | | | | | |
| <hr/> | | | | | | | |
| <hr/> | | | | | | | |



BBM1440-V230

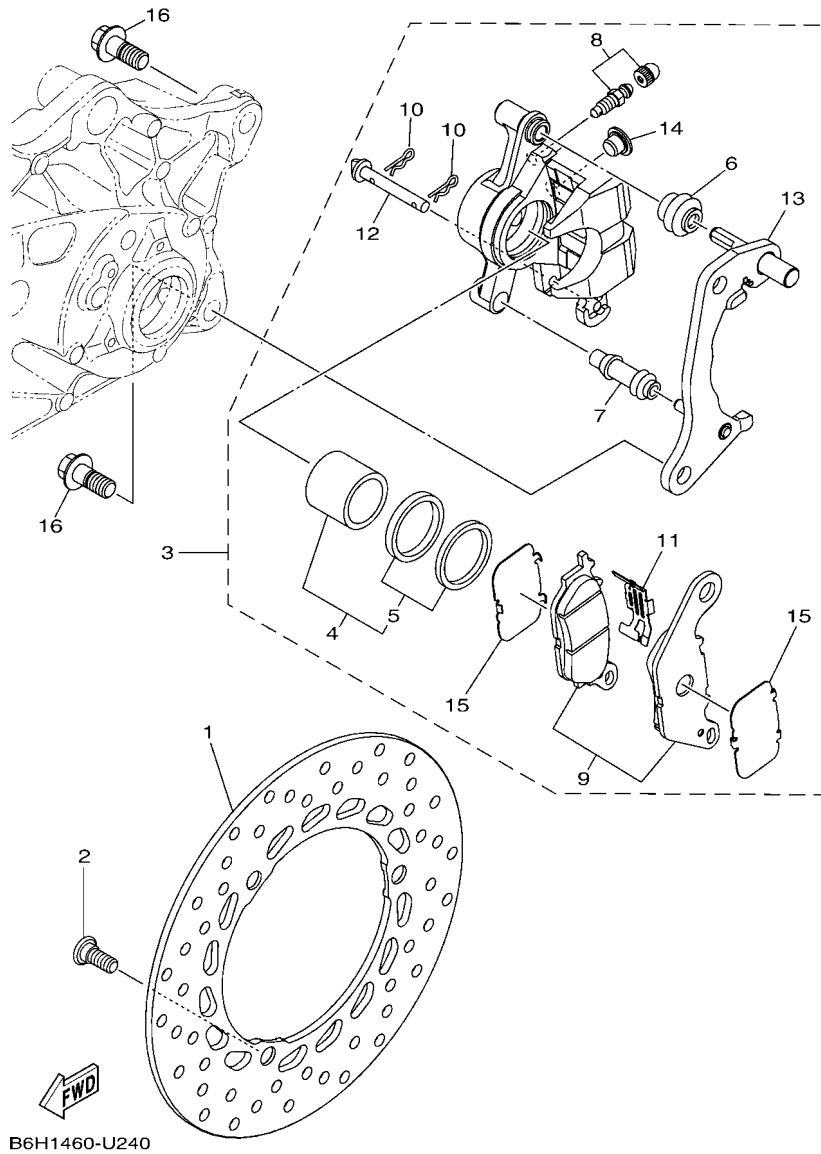
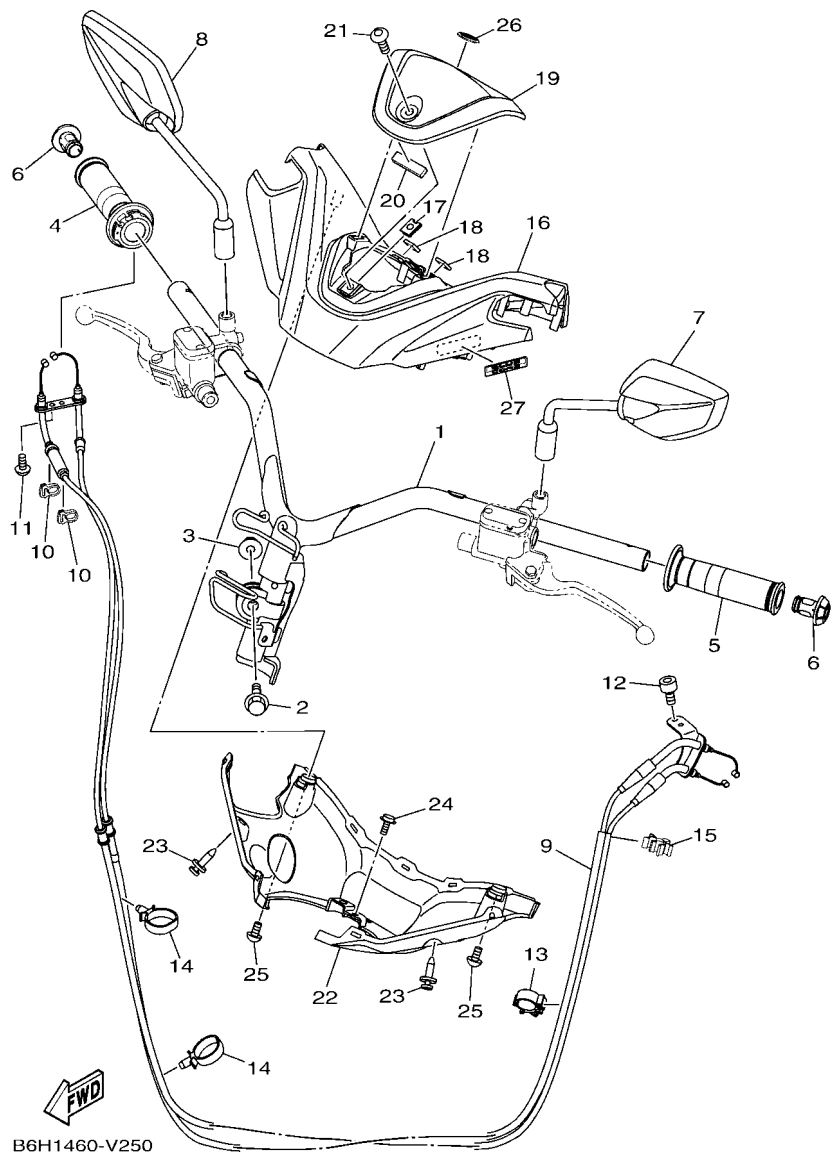


FIG. 24 REAR BRAKE CALIPER

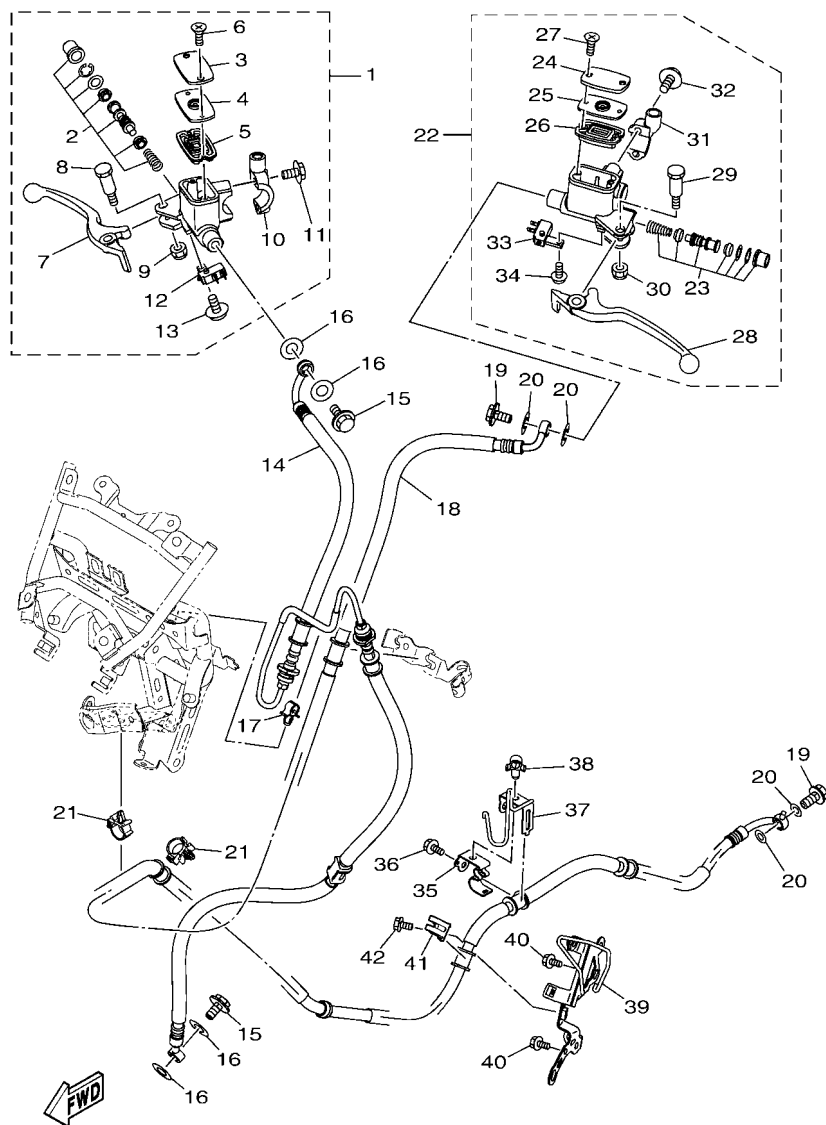
| REF. NO. | PART NO. | DESCRIPTION | BBM1 | | | | REMARKS |
|----------|--------------|-----------------------|------|--|--|--|---------|
| 1 | 2DP-F582W-00 | DISK, REAR BRAKE 2 | 1 | | | | |
| 2 | 90109-08232 | BOLT | 3 | | | | |
| 3 | B6H-F580W-00 | CALIPER ASSY, REAR 2 | 1 | | | | |
| 4 | 5P0-F5802-00 | .PISTON ASSY, CALIPER | 1 | | | | |
| 5 | 5YP-F5803-50 | ..CALIPER SEAL KIT | 1 | | | | |
| 6 | 5YP-F5917-00 | .BOOT, CALIPER | 1 | | | | |
| 7 | 5YP-F5937-00 | .BOOT 2 | 1 | | | | |
| 8 | 4C9-W0048-00 | .BLEED SCREW KIT | 1 | | | | |
| 9 | B6H-F5805-00 | .BRAKE PAD KIT | 1 | | | | |
| 10 | 5YP-F5925-01 | .CLIP | 2 | | | | |
| 11 | 5P0-F5919-01 | .SUPPORT, PAD | 1 | | | | |
| 12 | 5YP-F5924-00 | .PIN, PAD | 1 | | | | |
| 13 | 2DP-F5920-50 | .SUPT. BRKT. ASSY. | 1 | | | | |
| 14 | 2R6-F5916-00 | .PLUG | 1 | | | | |
| 15 | 5P0-F5827-00 | .SHIM, CALIPER | 2 | | | | |
| 16 | 95812-10030 | BOLT, FLANGE | 2 | | | | |
| | | | | | | | |
| | | | | | | | |
| | | | | | | | |
| | | | | | | | |

FIG. 25 STEERING HANDLE & CABLE



B6H1460-V250

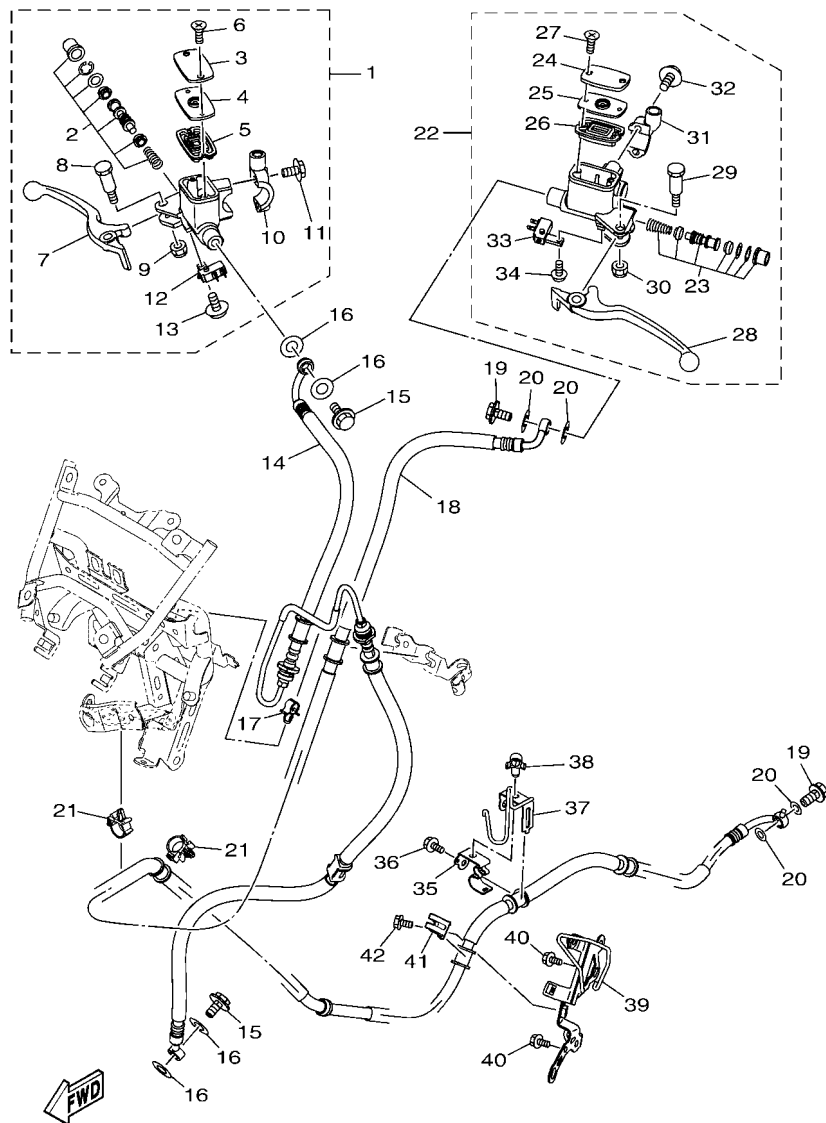
| REF. NO. | PART NO. | DESCRIPTION | BBM1 | | | REMARKS |
|----------|-----------------|-------------------------------|------|--|--|---------|
| 1 | B6H-F6110-01 | HANDLE COMP. | 1 | | | |
| 2 | 90105-10896 | BOLT, FLANGE | 1 | | | |
| 3 | 90185-10011 | NUT, SELF-LOCKING | 1 | | | |
| 4 | B6H-F6240-00 | GRIP ASSY | 1 | | | |
| 5 | 2DP-F6241-00 | GRIP | 1 | | | |
| 6 | 2PH-F6246-00 | END, GRIP | 2 | | | |
| 7 | 2DP-F6280-10 | REAR VIEW MIRROR ASSY (LEFT) | 1 | | | |
| 8 | 2DP-F6290-10 | REAR VIEW MIRROR ASSY (RIGHT) | 1 | | | |
| 9 | B6H-F6301-00 | THROTTLE CABLE ASSY | 1 | | | |
| 10 | 90464-08009 | CLAMP | 2 | | | |
| 11 | 92017-05016 | BOLT, BUTTON HEAD | 1 | | | |
| 12 | 91312-05010 | BOLT, HEXAGON SOCKET HEAD | 2 | | | |
| 13 | 90464-16808 | CLAMP | 1 | | | |
| 14 | 90464-24230 | CLAMP | 2 | | | |
| 15 | 90464-07807 | CLAMP | 1 | | | |
| 16 | B6H-F6143-00 | COVER, HANDLE UPPER 1 | 1 | | | |
| 17 | 90183-06818 | NUT, SPRING | 1 | | | |
| 18 | 90520-02849 | DAMPER, PLATE | 2 | | | |
| 19 | B6H-F6219-00-P1 | EMBLEM | 1 | | | MNM3 |
| 20 | 90520-02014 | DAMPER, PLATE | 1 | | | |
| 21 | 90149-06104 | SCREW | 1 | | | |
| 22 | B6H-F6144-00 | COVER, HANDLEBAR LOWER 1 | 1 | | | |
| 23 | 90269-06816 | RIVET | 2 | | | |
| 24 | 90159-05032 | SCREW, WITH WASHER | 1 | | | |
| 25 | 90160-05014 | SCREW, ROUND TAPPING | 2 | | | |
| 26 | 5P2-F1737-00 | EMBLEM | 1 | | | |
| 27 | B92-F1737-00 | EMBLEM | 1 | | | |



B6H1460-U270

FIG. 26 FRONT MASTER CYLINDER

| REF. NO. | PART NO. | DESCRIPTION | BBM1 | | | | REMARKS |
|----------|--------------|------------------------------|------|--|--|--|---------|
| 1 | BBM-F583T-00 | MASTER CYLINDER ASSY | 1 | | | | |
| 2 | 2DP-F5807-00 | .CYLINDER KIT, MASTER | 1 | | | | |
| 3 | 5HV-F5852-00 | .CAP, RESERVOIR | 1 | | | | |
| 4 | 5HV-F585B-10 | .PLATE, DIAPHRAGM | 1 | | | | |
| 5 | 5HV-F5854-10 | .DIAPHRAGM, RESERVOIR | 1 | | | | |
| 6 | 98707-04012 | .SCREW, FLAT HEAD | 2 | | | | |
| 7 | 2DP-H3922-00 | .LEVER 2 | 1 | | | | |
| 8 | 2DP-F589F-00 | .BOLT, LEVER | 1 | | | | |
| 9 | 95602-06100 | .NUT, SELF-LOCKING | 1 | | | | |
| 10 | 2DP-F5867-10 | .BRACKET, MASTER CYLINDER | 1 | | | | |
| 11 | 1S9-F6332-00 | .BOLT | 2 | | | | |
| 12 | B6H-H3980-00 | .FRONT STOP SWITCH ASSY | 1 | | | | |
| 13 | 97602-04312 | .SCREW, PAN HEAD WITH WASHER | 1 | | | | |
| 14 | B6H-F5872-10 | HOSE, BRAKE 1 | 1 | | | | |
| 15 | 90401-10812 | BOLT, UNION | 2 | | | | |
| 16 | 90201-10118 | WASHER, PLATE | 4 | | | | |
| 17 | 90464-07805 | CLAMP | 1 | | | | |
| 18 | B6H-F5873-10 | HOSE, BRAKE 2 | 1 | | | | |
| 19 | 90401-10812 | BOLT, UNION | 2 | | | | |
| 20 | 90201-10118 | WASHER, PLATE | 4 | | | | |
| 21 | 90464-16808 | CLAMP | 2 | | | | |
| 22 | BBM-F583V-00 | RR. MASTER CYLINDER ASSY. | 1 | | | | |
| 23 | 2DP-F5807-10 | .CYLINDER KIT, MASTER | 1 | | | | |
| 24 | 5HV-F5852-00 | .CAP, RESERVOIR | 1 | | | | |
| 25 | 5HV-F585B-10 | .PLATE, DIAPHRAGM | 1 | | | | |
| 26 | 5HV-F5854-10 | .DIAPHRAGM, RESERVOIR | 1 | | | | |
| 27 | 98707-04012 | .SCREW, FLAT HEAD | 2 | | | | |

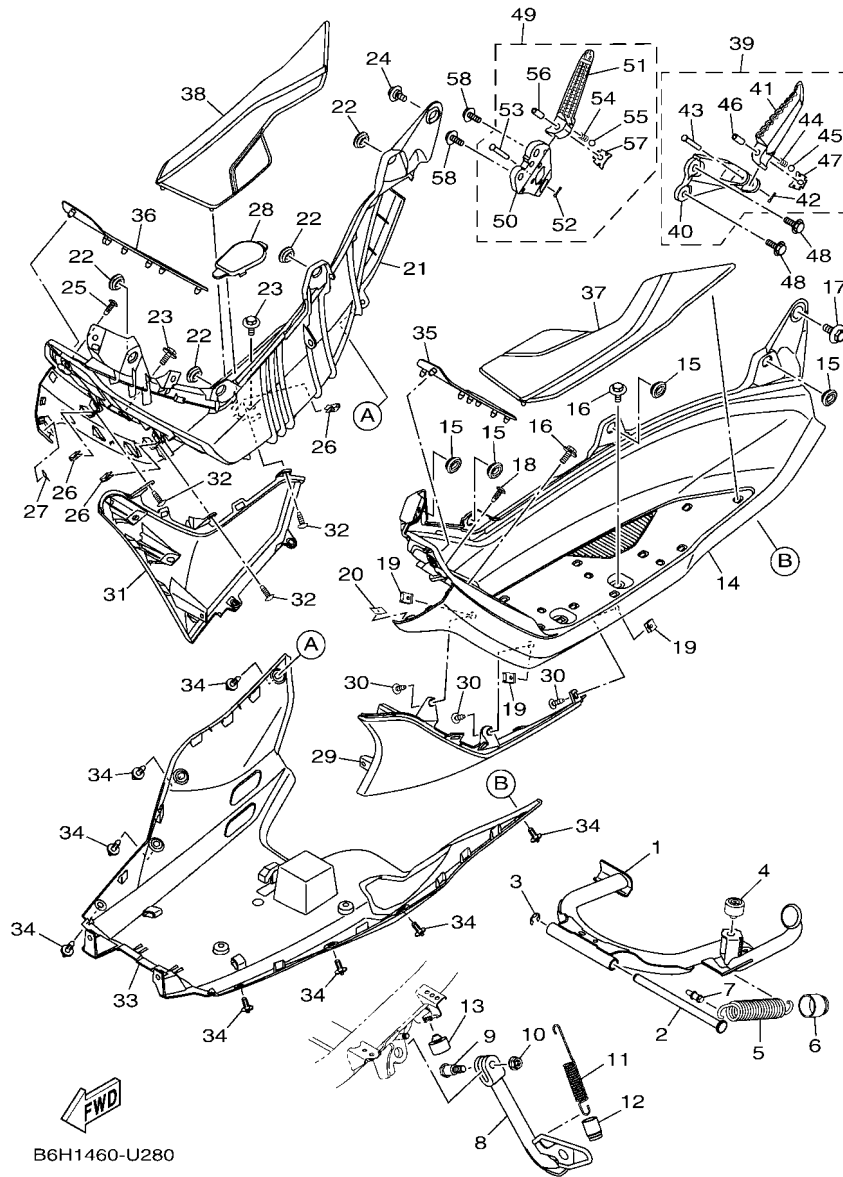


B6H1460-U270

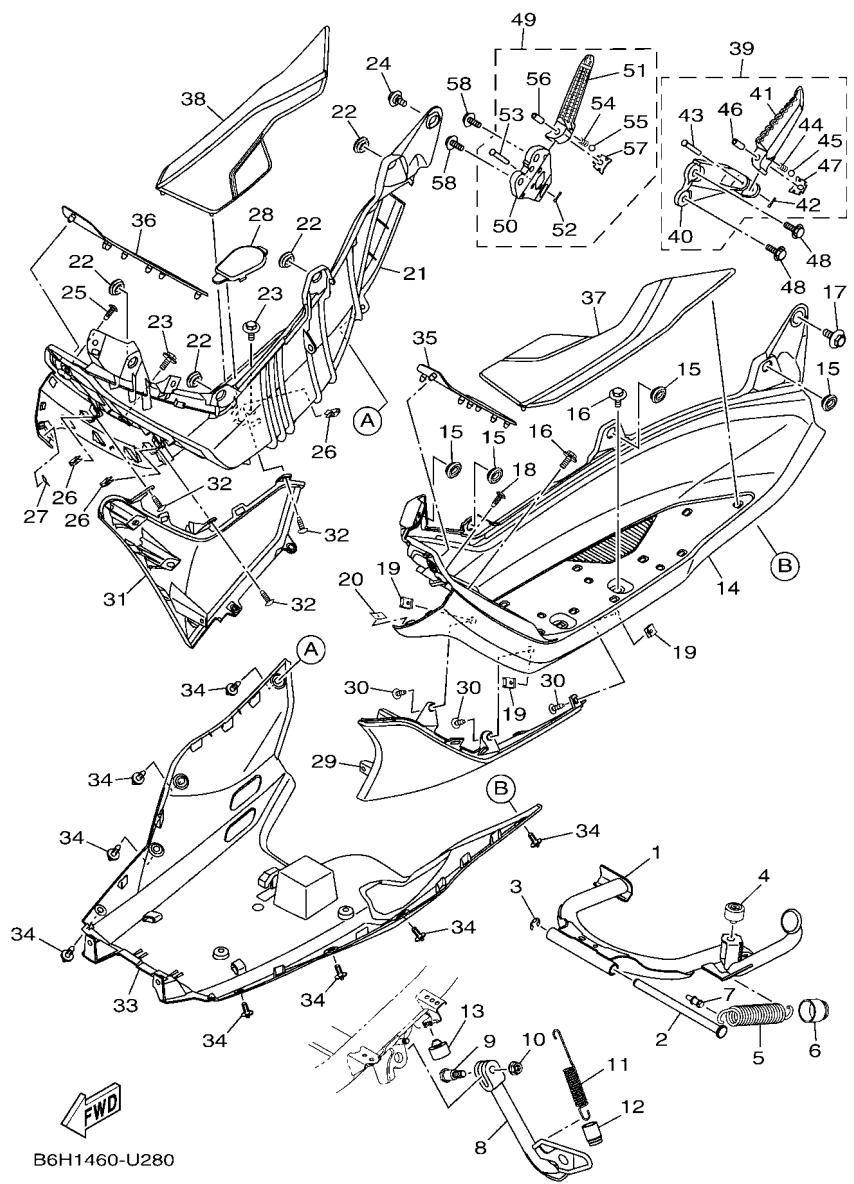
FIG. 26 FRONT MASTER CYLINDER

| REF. NO. | PART NO. | DESCRIPTION | BBM1 | | | | REMARKS |
|----------|--------------|------------------------------|------|--|--|--|---------|
| 28 | 2DP-H3912-00 | .LEVER 1 | 1 | | | | |
| 29 | 2DP-F589F-00 | .BOLT, LEVER | 1 | | | | |
| 30 | 95602-06100 | .NUT, SELF-LOCKING | 1 | | | | |
| 31 | 2DP-F5867-00 | .BRACKET, MASTER CYLINDER | 1 | | | | |
| 32 | 1S9-F6332-00 | .BOLT | 2 | | | | |
| 33 | B6H-H2530-00 | .STOP SWITCH ASSY | 1 | | | | |
| 34 | 97602-04312 | .SCREW, PAN HEAD WITH WASHER | 1 | | | | |
| 35 | B6H-F5887-00 | HOLDER, BRAKE HOSE 3 | 1 | | | | |
| 36 | 95D02-06012 | BOLT, FLANGE DEEP RECESS | 1 | | | | |
| 37 | B6H-F5522-00 | HOLDER | 1 | | | | |
| 38 | 90464-07805 | CLAMP | 1 | | | | |
| 39 | B6H-F194U-00 | STAY, IGNITION COIL | 1 | | | | |
| 40 | 95E32-06012 | BOLT, FLANGE DEEP RECESS | 2 | | | | |
| 41 | B6H-F587A-00 | HOLDER, BRAKE HOSE 4 | 1 | | | | |
| 42 | 95E32-06012 | BOLT, FLANGE DEEP RECESS | 1 | | | | |

FIG. 27 STAND & FOOTREST



| REF. NO. | PART NO. | DESCRIPTION | BBM1 | | | | REMARKS |
|----------|--------------|---------------------|------|--|--|--|---------|
| 1 | B6H-F7111-00 | STAND, MAIN | 1 | | | | |
| 2 | B6H-F7112-00 | SHAFT, MAIN STAND | 1 | | | | |
| 3 | 99002-09600 | CIRCLIP | 1 | | | | |
| 4 | 54P-F7114-00 | STOPPER, MAIN STAND | 1 | | | | |
| 5 | 90506-40806 | SPRING, TENSION | 1 | | | | |
| 6 | B6H-F247A-00 | HOSE 1 | 1 | | | | |
| 7 | 1LB-F7254-00 | HOOK | 1 | | | | |
| 8 | B6H-F7311-00 | STAND, SIDE | 1 | | | | |
| 9 | B65-F7217-00 | BOLT | 1 | | | | |
| 10 | 95602-10200 | NUT, S/L FLANGE | 1 | | | | |
| 11 | 90506-20818 | SPRING, TENSION | 1 | | | | |
| 12 | B6H-F247B-00 | HOSE 2 | 1 | | | | |
| 13 | 54P-F7114-00 | STOPPER, MAIN STAND | 1 | | | | |
| 14 | B6H-F7481-00 | BOARD, FOOTREST | 1 | | | | |
| 15 | 90480-01559 | GROMMET | 4 | | | | |
| 16 | 90119-06235 | BOLT, WITH WASHER | 2 | | | | |
| 17 | 90109-068B2 | BOLT | 1 | | | | |
| 18 | 97702-50016 | SCREW, TAPPING | 1 | | | | |
| 19 | 90183-05807 | NUT, SPRING | 3 | | | | |
| 20 | 90520-02849 | DAMPER, PLATE | 1 | | | | |
| 21 | B6H-F7488-00 | BOARD, FOOTREST 2 | 1 | | | | |
| 22 | 90480-01559 | GROMMET | 4 | | | | |
| 23 | 90119-06235 | BOLT, WITH WASHER | 2 | | | | |
| 24 | 90109-068B2 | BOLT | 1 | | | | |
| 25 | 97702-50016 | SCREW, TAPPING | 1 | | | | |
| 26 | 90183-05807 | NUT, SPRING | 3 | | | | |
| 27 | 90520-02849 | DAMPER, PLATE | 1 | | | | |

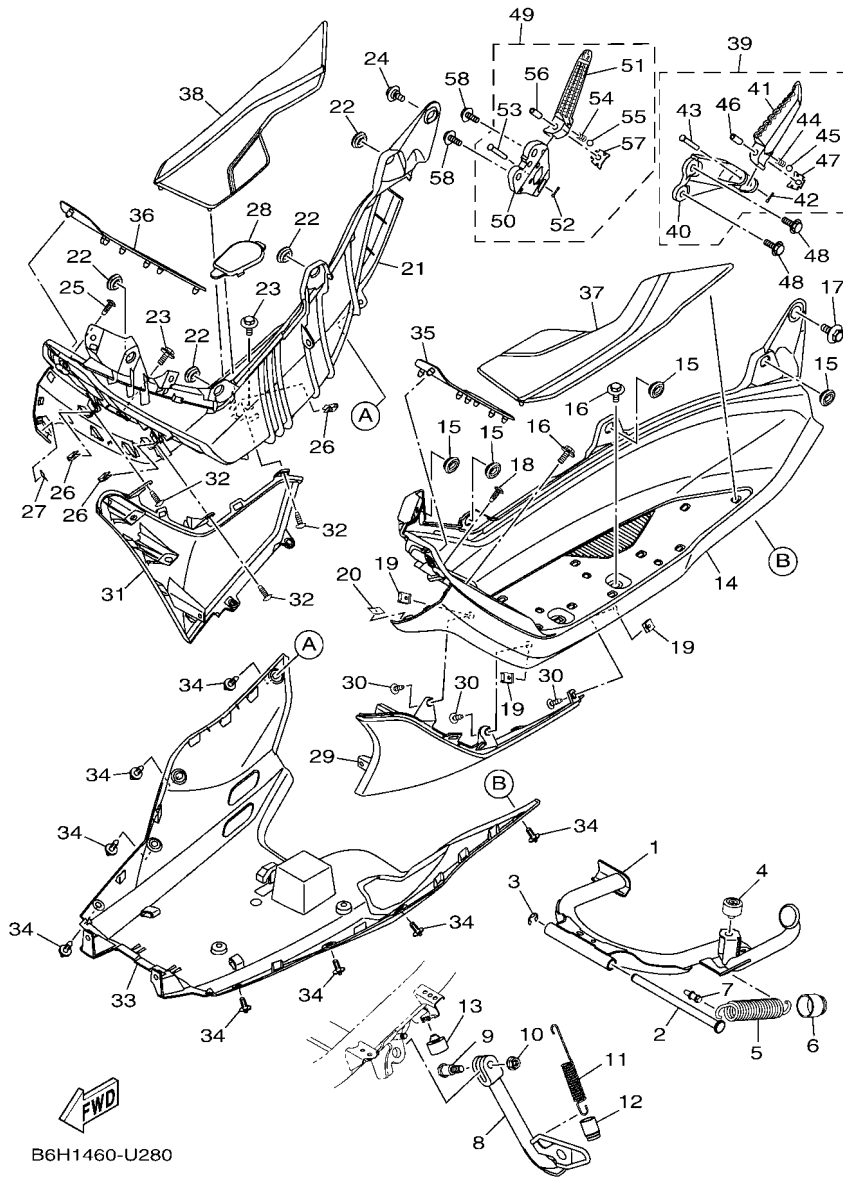


B6H1460-U280

FIG. 27 STAND & FOOTREST

| REF. NO. | PART NO. | DESCRIPTION | BBM1 | | | | REMARKS |
|----------|-----------------|--------------------------|------|--|--|--|--------------|
| 28 | 2DP-F172W-00 | COVER | 1 | | | | |
| 29 | B6H-F171L-00-P5 | MOLE, SIDE COVER 1 | 1 | | | | UR FOR MDRM3 |
| | B6H-F171L-00-P6 | MOLE, SIDE COVER 1 | 1 | | | | UR FOR MDNMA |
| 30 | 97702-50016 | SCREW,TAPPING | 3 | | | | |
| 31 | B6H-F171M-00-P5 | MOLE, SIDE COVER 2 | 1 | | | | UR FOR MDRM3 |
| | B6H-F171M-00-P6 | MOLE, SIDE COVER 2 | 1 | | | | UR FOR MDNMA |
| 32 | 97702-50016 | SCREW,TAPPING | 3 | | | | |
| 33 | B6H-F8385-00 | COVER, UNDER | 1 | | | | |
| 34 | 90269-06816 | RIVET | 8 | | | | |
| 35 | B6H-F7483-00 | MAT 1 | 1 | | | | |
| 36 | B6H-F7484-00 | MAT 2 | 1 | | | | |
| 37 | B6H-F7493-00 | MAT 3 | 1 | | | | |
| 38 | B6H-F7494-00 | MAT 4 | 1 | | | | |
| 39 | B6H-F7430-00 | REAR FOOTREST ASSY 1 | 1 | | | | |
| 40 | B6H-F741L-00 | .BRACKET 4 | 1 | | | | |
| 41 | 2DP-F7431-01 | .FOOTREST, REAR 1 | 1 | | | | |
| 42 | 91402-20012 | .PIN, COTTER | 1 | | | | |
| 43 | 91702-06038 | .PIN, CLEVIS | 1 | | | | |
| 44 | 90501-12743 | .SPRING, COMPRESSION | 1 | | | | |
| 45 | 93501-04830 | .BALL | 1 | | | | |
| 46 | 90387-064H8 | .COLLAR | 1 | | | | |
| 47 | 2DP-F7437-01 | .WASHER, SPECIAL | 1 | | | | |
| 48 | 95E32-08020 | BOLT, FLANGE DEEP RECESS | 2 | | | | |
| 49 | B6H-F7440-00 | REAR FOOTREST ASSY 2 | 1 | | | | |
| 50 | B6H-F742L-00 | .BRACKET 5 | 1 | | | | |
| 51 | 2DP-F7441-01 | .FOOTREST, REAR 2 | 1 | | | | |
| 52 | 91402-20012 | .PIN, COTTER | 1 | | | | |

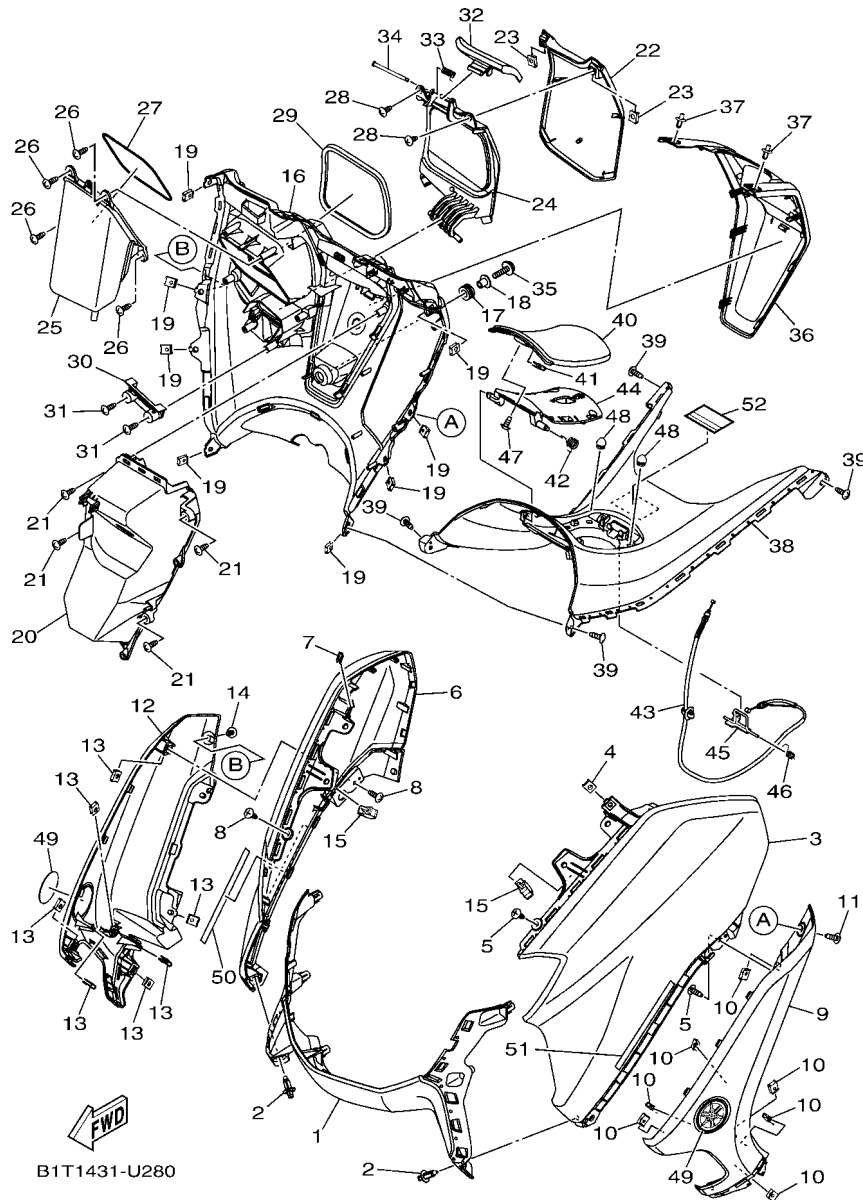
FIG. 27 STAND & FOOTREST



B6H1460-U280

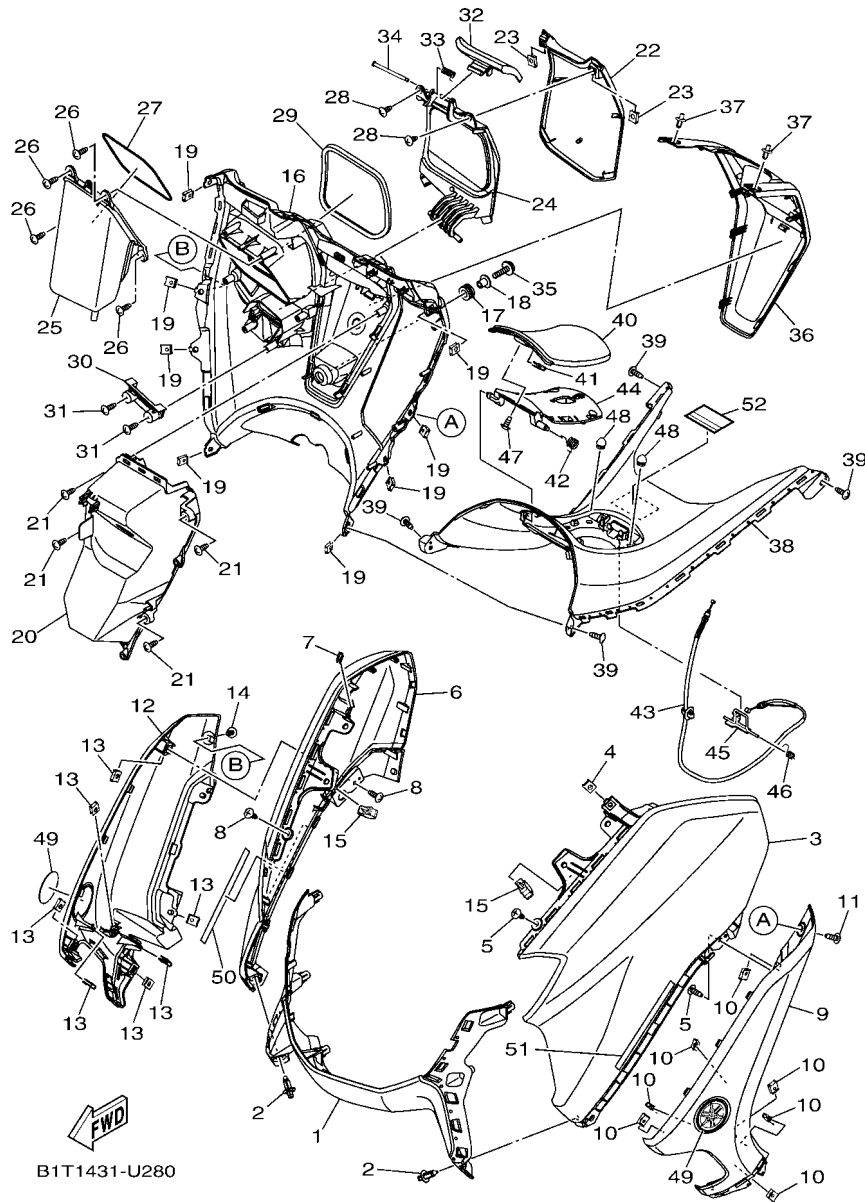
| REF. NO. | PART NO. | DESCRIPTION | BBM1 | | | REMARKS |
|----------|--------------|--------------------------|------|--|--|---------|
| 53 | 91702-06038 | .PIN, CLEVIS | 1 | | | |
| 54 | 90501-12743 | .SPRING, COMPRESSION | 1 | | | |
| 55 | 93501-04830 | .BALL | 1 | | | |
| 56 | 90387-064H8 | .COLLAR | 1 | | | |
| 57 | 2DP-F7437-01 | .WASHER, SPECIAL | 1 | | | |
| 58 | 95E32-08020 | BOLT, FLANGE DEEP RECESS | 2 | | | |
| | | | | | | |
| | | | | | | |
| | | | | | | |
| | | | | | | |
| | | | | | | |
| | | | | | | |
| | | | | | | |
| | | | | | | |

FIG. 28 LEG SHIELD



| REF. NO. | PART NO. | DESCRIPTION | BBM1 | | REMARKS |
|----------|-----------------|----------------------|------|--|--------------|
| 1 | B6H-F286F-00-P5 | COVER, FRONT 2 | 1 | | UR FOR MDRM3 |
| | B6H-F286F-00-P6 | COVER, FRONT 2 | 1 | | UR FOR MDNMA |
| 2 | 90269-06816 | RIVET | 2 | | |
| 3 | B6H-F8351-00-P5 | BODY, COWLING | 1 | | UR FOR MDRM3 |
| | B6H-F8351-00-P6 | BODY, COWLING | 1 | | UR FOR MDNMA |
| 4 | 90183-05807 | NUT, SPRING | 1 | | |
| 5 | 97702-50016 | SCREW, TAPPING | 2 | | |
| 6 | B6H-F8377-00-P5 | BODY, COWLING 2 | 1 | | UR FOR MDRM3 |
| | B6H-F8377-00-P6 | BODY, COWLING 2 | 1 | | UR FOR MDNMA |
| 7 | 90183-05807 | NUT, SPRING | 1 | | |
| 8 | 97702-50016 | SCREW, TAPPING | 2 | | |
| 9 | B6H-F835U-00 | PANEL 1 | 1 | | |
| 10 | 90183-05807 | NUT, SPRING | 7 | | |
| 11 | 90160-05009 | SCREW, ROUND TAPPING | 1 | | |
| 12 | B6H-F835V-00 | PANEL 2 | 1 | | |
| 13 | 90183-05807 | NUT, SPRING | 7 | | |
| 14 | 90160-05009 | SCREW, ROUND TAPPING | 1 | | |
| 15 | 90464-16808 | CLAMP | 2 | | |
| 16 | B6H-F8311-00 | LEG SHIELD 1 | 1 | | |
| 17 | 90480-14825 | GROMMET | 1 | | |
| 18 | 90387-07391 | COLLAR | 1 | | |
| 19 | 90183-05807 | NUT, SPRING | 8 | | |
| 20 | B6H-F836K-00 | PANEL, INNER 1 | 1 | | |
| 21 | 97702-50016 | SCREW, TAPPING | 4 | | |
| 22 | B6H-F177E-00 | LID | 1 | | |
| 23 | 90183-05807 | NUT, SPRING | 2 | | |
| 24 | B6H-F8321-00 | STAY 1 | 1 | | |

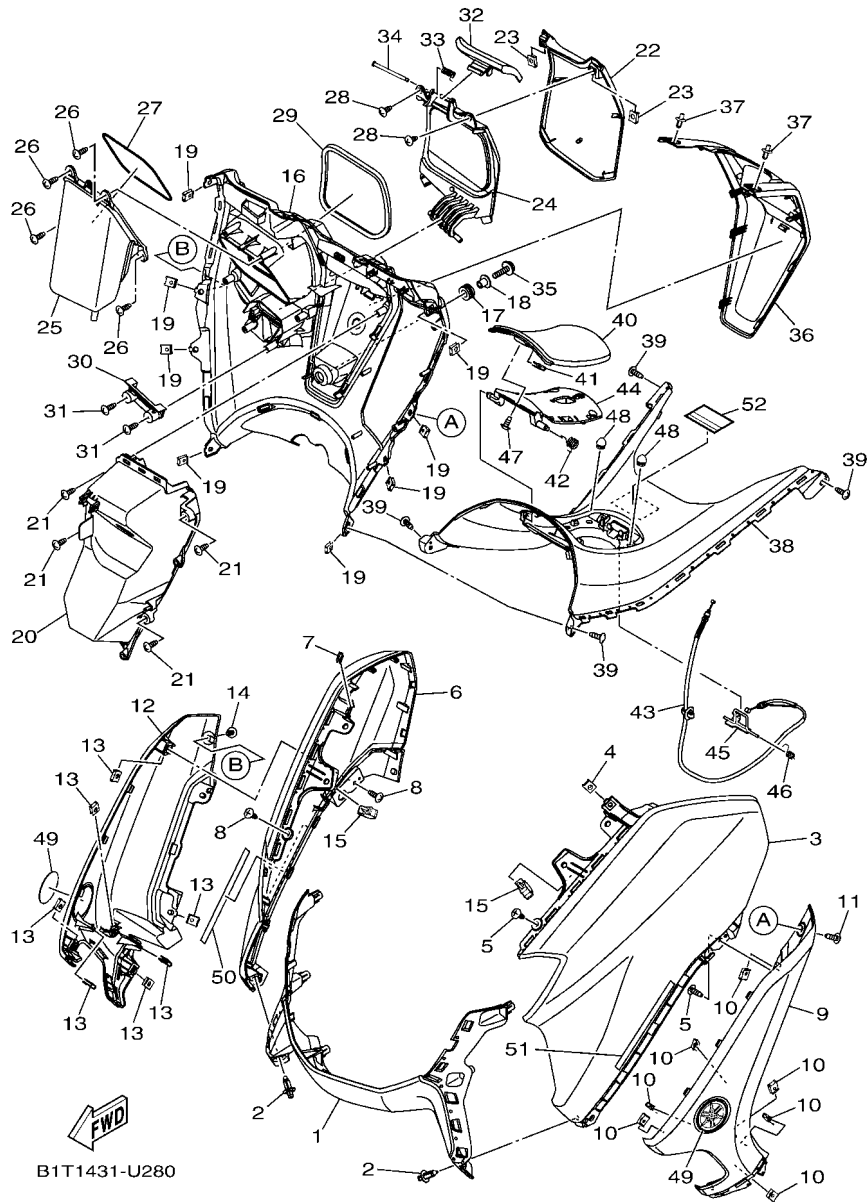
FIG. 28 LEG SHIELD



B1T1431-U280

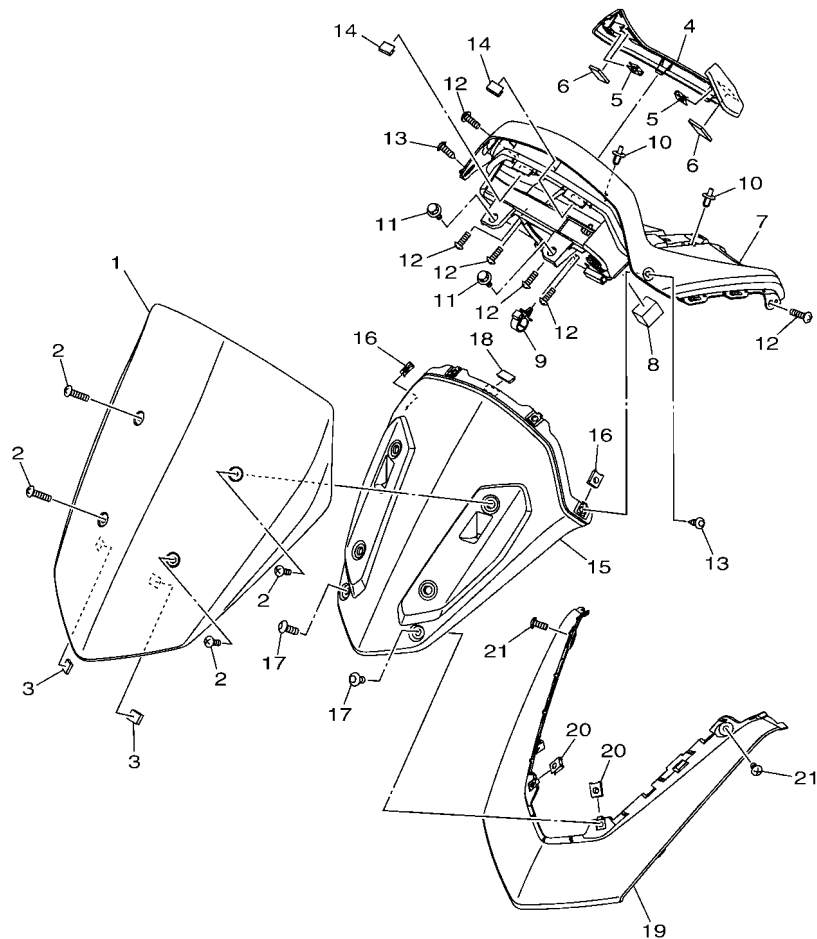
| REF. NO. | PART NO. | DESCRIPTION | BBM1 | REMARKS |
|----------|-----------------|---------------------------|------|--------------|
| 25 | B6H-F838K-00 | BOX 1 | 1 | |
| 26 | 97702-50016 | SCREW,TAPPING | 4 | |
| 27 | B6H-F838M-00 | SEAL, BOX 1 | 1 | |
| 28 | 97707-50012 | SCREW, TRUSS HEAD TAPPING | 2 | |
| 29 | 90520-06817 | DAMPER, PLATE | 1 | |
| 30 | B6H-F1796-00 | HINGE | 1 | |
| 31 | 97702-50016 | SCREW,TAPPING | 2 | |
| 32 | B6H-F836X-00 | KNOB, 1 | 1 | |
| 33 | 90508-12800 | SPRING, TORSION | 1 | |
| 34 | 90249-03017 | PIN | 1 | |
| 35 | 95D32-06025 | BOLT, FLANGE DEEP RECESS | 1 | |
| 36 | B6H-F8312-00-P1 | LEG SHIELD 2 | 1 | MNM3 |
| 37 | 90269-06816 | RIVET | 2 | |
| 38 | B6H-F842M-00 | COVER 1 | 1 | |
| 39 | 97702-50016 | SCREW,TAPPING | 4 | |
| 40 | B6H-F74A8-00 | LID, FUEL | 1 | |
| 41 | 90183-05807 | NUT, SPRING | 1 | |
| 42 | B6H-F7426-00 | SPRING, RETURN | 1 | |
| 43 | B6H-F4494-00 | WIRE, PULL | 1 | |
| 44 | B6H-F839K-00 | LID 1 | 1 | |
| 45 | B6H-F131C-00 | BAR LOCK | 1 | |
| 46 | B6H-F7456-00 | SPRING, RETURN | 1 | |
| 47 | 97707-50012 | SCREW, TRUSS HEAD TAPPING | 1 | |
| 48 | 4G0-21639-00 | DAMPER 2 | 2 | |
| 49 | 2DP-F413B-00 | EMBLEM | 2 | |
| 50 | B6H-F8315-40 | EMBLEM | 1 | UR FOR MDRM3 |
| | B6H-F8315-60 | EMBLEM | 1 | UR FOR MDNMA |

FIG. 28 LEG SHIELD



| REF. NO. | PART NO. | DESCRIPTION | BBM1 | | | REMARKS |
|----------|--------------|----------------|------|--|--|--------------|
| 51 | B6H-F8328-40 | EMBLEM | 1 | | | UR FOR MDRM3 |
| | B6H-F8328-60 | EMBLEM | 1 | | | UR FOR MDNMA |
| 52 | BBM-F1568-00 | LABEL, WARNING | 1 | | | |
| ----- | | | | | | |
| ----- | | | | | | |
| ----- | | | | | | |
| ----- | | | | | | |
| ----- | | | | | | |
| ----- | | | | | | |
| ----- | | | | | | |
| ----- | | | | | | |
| ----- | | | | | | |

FIG. 29 WINDSHIELD

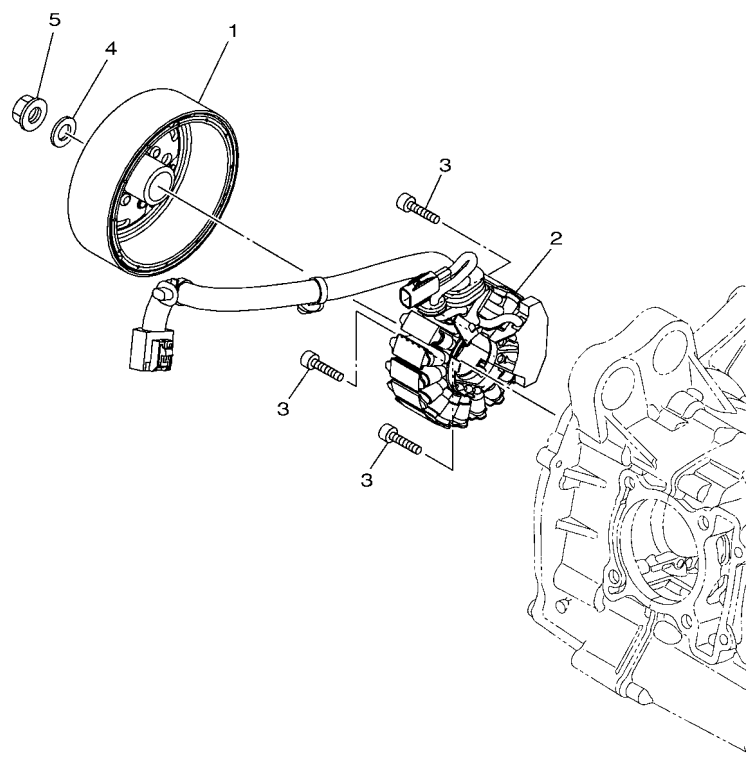


BBM1441-V290

| REF. NO. | PART NO. | DESCRIPTION | BBM1 | | REMARKS |
|----------|-----------------|----------------------|------|--|--------------|
| 1 | B1T-F61AA-00 | VISOR | 1 | | |
| 2 | 90150-05008 | SCREW, ROUND HEAD | 4 | | |
| 3 | 90520-02849 | DAMPER, PLATE | 2 | | |
| 4 | B6H-H3559-00-P1 | COVER, METER | 1 | | MNM3 |
| 5 | 90183-05807 | NUT, SPRING | 2 | | |
| 6 | 90520-02850 | DAMPER, PLATE | 2 | | |
| 7 | B6H-F837L-00 | PANEL, CONSOLE 1 | 1 | | |
| 8 | 90520-20800 | DAMPER, PLATE | 1 | | |
| 9 | 90464-16808 | CLAMP | 1 | | |
| 10 | 90269-06816 | RIVET | 2 | | |
| 11 | 90109-068B2 | BOLT | 2 | | |
| 12 | 97702-50016 | SCREW, TAPPING | 6 | | |
| 13 | 90160-05009 | SCREW, ROUND TAPPING | 2 | | |
| 14 | B6H-F8428-00 | SEAL 1 | 2 | | |
| 15 | B6H-F837M-00 | PANEL, CONSOLE 2 | 1 | | |
| 16 | 90183-05807 | NUT, SPRING | 2 | | |
| 17 | 90160-05009 | SCREW, ROUND TAPPING | 2 | | |
| 18 | B6H-F8428-00 | SEAL 1 | 1 | | |
| 19 | B6H-F2865-00-P5 | COVER, FRONT | 1 | | UR FOR MDRM3 |
| | B6H-F2865-00-P6 | COVER, FRONT | 1 | | UR FOR MDNMA |
| 20 | 90183-05807 | NUT, SPRING | 2 | | |
| 21 | 97702-50016 | SCREW, TAPPING | 2 | | |

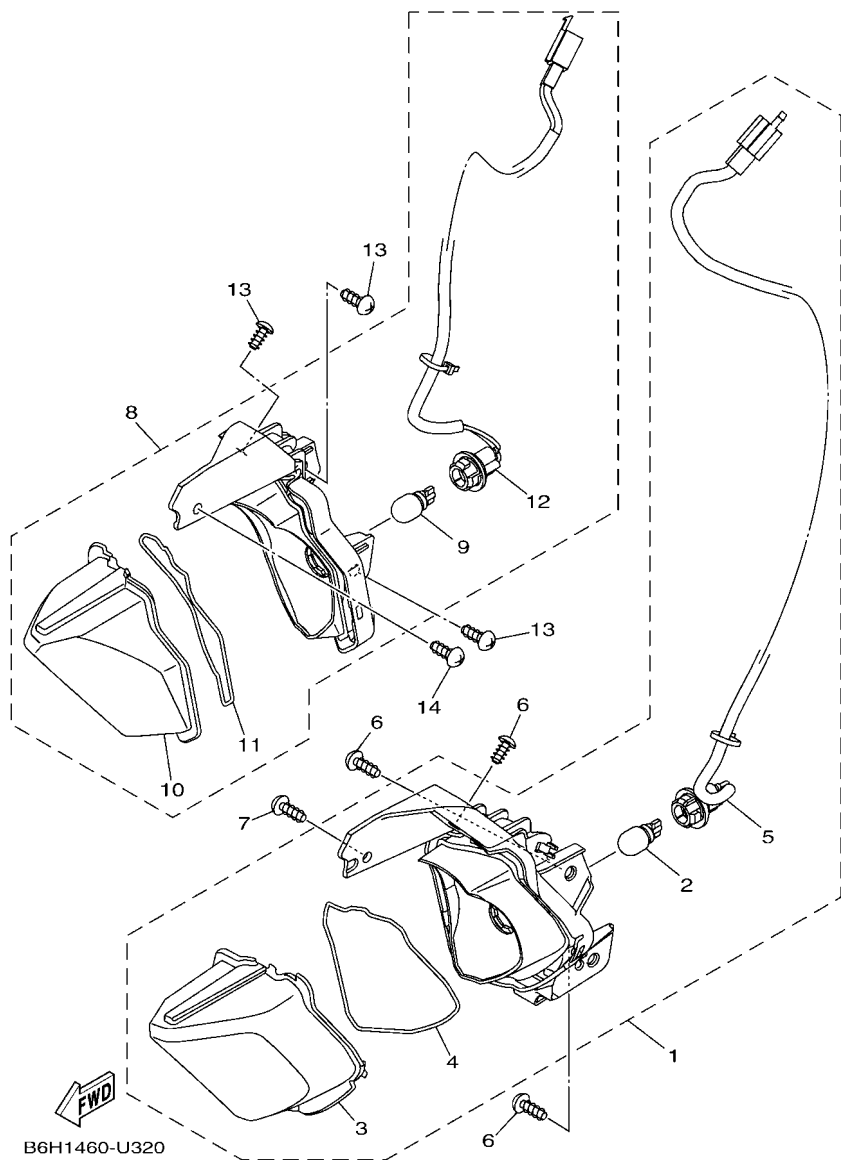
FIG. 30 GENERATOR

| REF. NO. | PART NO. | DESCRIPTION | BBM1 | | | | REMARKS |
|----------|--------------|---------------------------|------|--|--|--|---------|
| 1 | B6H-H1450-00 | ROTOR ASSY | 1 | | | | |
| 2 | B6H-H1410-00 | STATOR ASSY | 1 | | | | |
| 3 | 90110-06880 | BOLT, HEXAGON SOCKET HEAD | 3 | | | | |
| 4 | 90201-12688 | WASHER, PLATE | 1 | | | | |
| 5 | 90179-12004 | NUT | 1 | | | | |



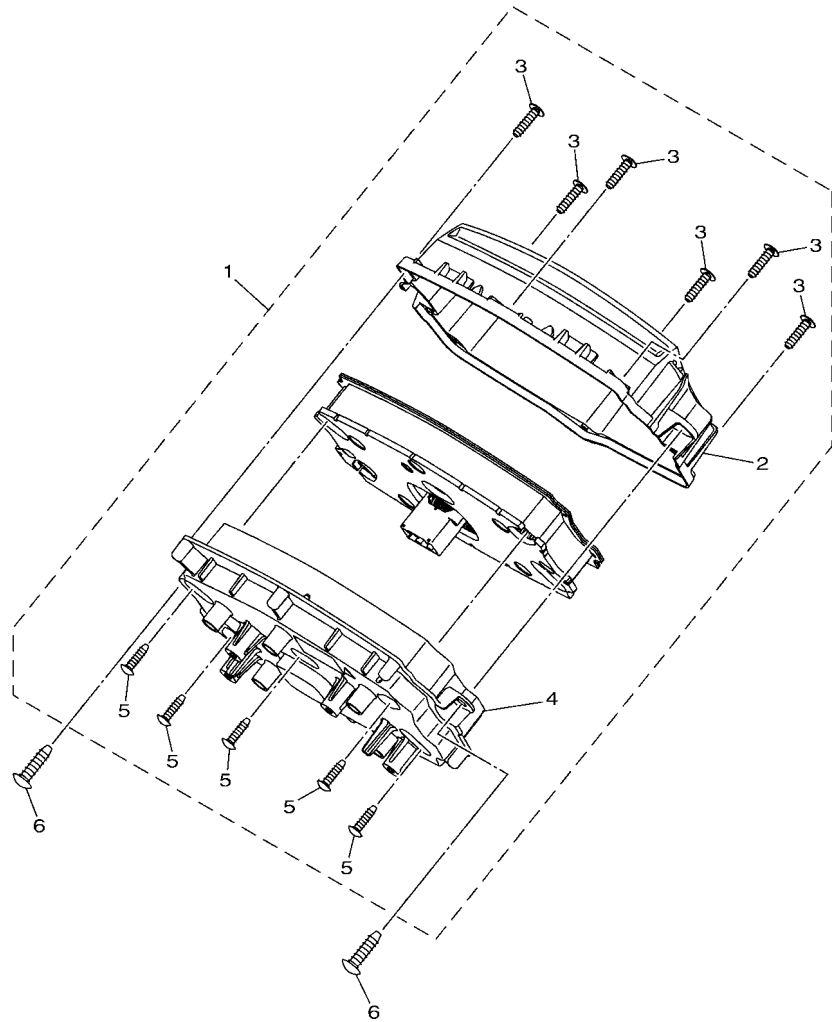
B6H1460-U310

FIG. 31 FLASHER LIGHT



| REF. NO. | PART NO. | DESCRIPTION | BBM1 | | | | REMARKS |
|----------|--------------|----------------------------|------|--|--|--|---------|
| 1 | B6H-H3310-00 | FRONT FLASHER LIGHT ASSY 1 | 1 | | | | |
| 2 | 2CB-H3311-00 | .BULB, FLASHER (12V-10W) | 1 | | | | |
| 3 | B6H-H3312-00 | .LENS, FLASHER | 1 | | | | |
| 4 | B6H-H4723-00 | .GASKET, TAIL LENS | 1 | | | | |
| 5 | B6H-H4140-00 | .SOCKET CORD ASSY | 1 | | | | |
| 6 | 97702-50014 | SCREW, TAPPING | 3 | | | | |
| 7 | 97707-50016 | SCREW, TRUSS HEAD TAPPING | 1 | | | | |
| 8 | B6H-H3320-00 | FRONT FLASHER LIGHT ASSY 2 | 1 | | | | |
| 9 | 2CB-H3311-00 | .BULB, FLASHER (12V-10W) | 1 | | | | |
| 10 | B6H-H3322-00 | .LENS, FLASHER 2 | 1 | | | | |
| 11 | B6H-H4723-00 | .GASKET, TAIL LENS | 1 | | | | |
| 12 | B6H-H4150-00 | .SOCKET CORD ASSY 2 | 1 | | | | |
| 13 | 97702-50014 | SCREW, TAPPING | 3 | | | | |
| 14 | 97707-50016 | SCREW, TRUSS HEAD TAPPING | 1 | | | | |

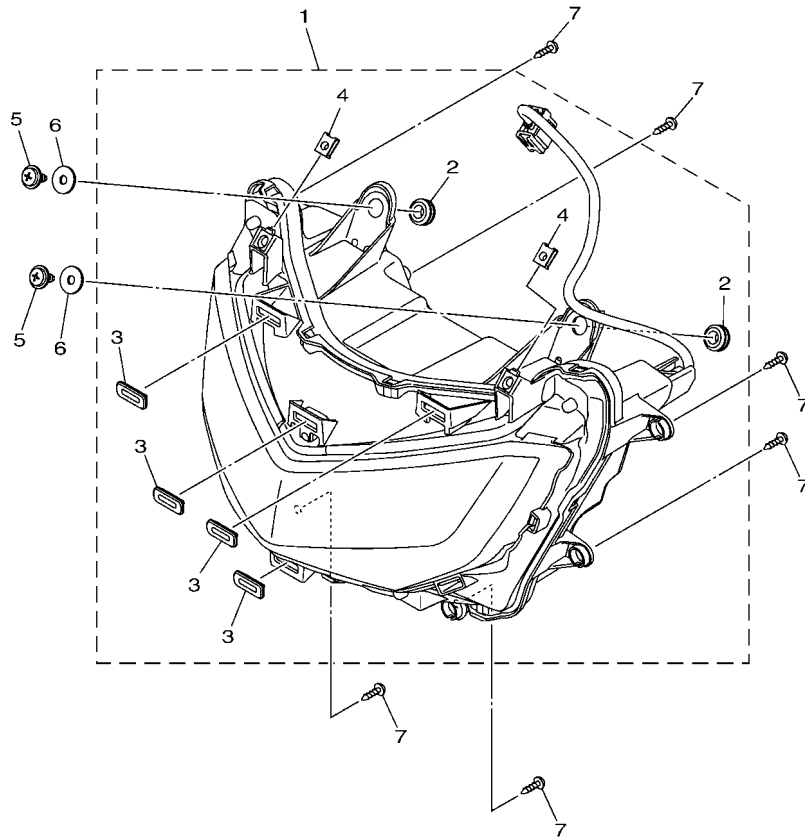
FIG. 32 METER



B6H1460-V330

| REF. NO. | PART NO. | DESCRIPTION | BBM1 | | | | REMARKS |
|----------|--------------|--------------------------|------|--|--|--|---------|
| 1 | B6H-H3510-50 | SPEEDOMETER ASSY | 1 | | | | |
| 2 | B6H-H3511-00 | .LENS, SPEEDOMETER | 1 | | | | |
| 3 | 97707-30014 | .SCREW, TAPPING | 6 | | | | |
| 4 | B6H-H3572-00 | .CASE, SPEEDOMETER LOWER | 1 | | | | |
| 5 | 97702-30016 | .SCREW, TAPPING | 5 | | | | |
| 6 | 97702-50016 | SCREW, TAPPING | 2 | | | | |
| | | | | | | | |
| | | | | | | | |
| | | | | | | | |
| | | | | | | | |
| | | | | | | | |
| | | | | | | | |
| | | | | | | | |
| | | | | | | | |
| | | | | | | | |
| | | | | | | | |

FIG. 33 HEADLIGHT

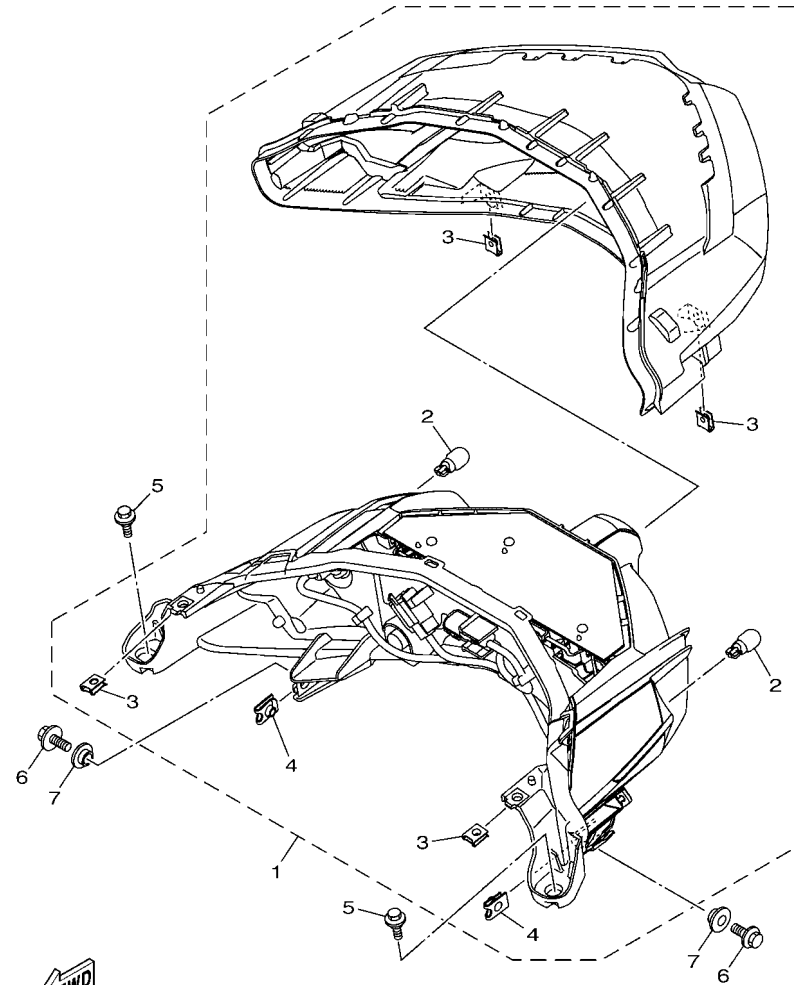


| REF. NO. | PART NO. | DESCRIPTION | BBM1 | | | | REMARKS |
|----------|--------------|--------------------|------|--|--|--|---------|
| 1 | B6H-H4300-00 | HEADLIGHT ASSY | 1 | | | | |
| 2 | 90480-13018 | .GROMMET | 2 | | | | |
| 3 | 50C-F6326-00 | .GROMMET | 4 | | | | |
| 4 | 90183-05807 | .NUT, SPRING | 2 | | | | |
| 5 | 90159-06817 | SCREW, WITH WASHER | 2 | | | | |
| 6 | 90201-06828 | WASHER, PLATE | 2 | | | | |
| 7 | 97702-50016 | SCREW, TAPPING | 6 | | | | |



B6H1460-U340

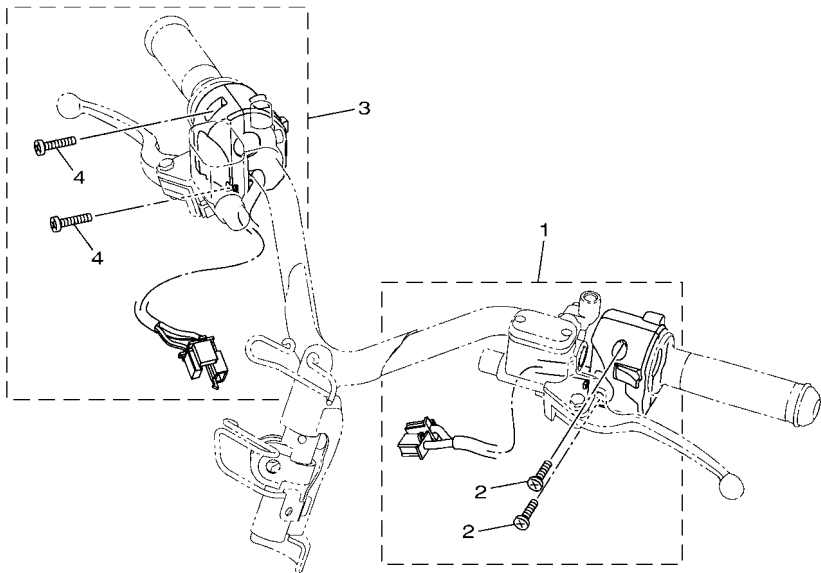
FIG. 34 TAILLIGHT



B6H4450-V350

| REF. NO. | PART NO. | DESCRIPTION | BBM1 | | | | REMARKS |
|----------|--------------|--------------------------|------|--|--|--|---------|
| 1 | B6H-H4710-00 | TAILLIGHT UNIT ASSY | 1 | | | | |
| 2 | 2CB-H3311-00 | .BULB, FLASHER (12V-10W) | 2 | | | | |
| 3 | 90183-05807 | .NUT, SPRING | 4 | | | | |
| 4 | 90183-06818 | .NUT, SPRING | 2 | | | | |
| 5 | 90109-068B2 | BOLT | 2 | | | | |
| 6 | 95827-06016 | BOLT, FLANGE | 2 | | | | |
| 7 | 90387-068T3 | COLLAR | 2 | | | | |
| | | | | | | | |
| | | | | | | | |
| | | | | | | | |
| | | | | | | | |
| | | | | | | | |

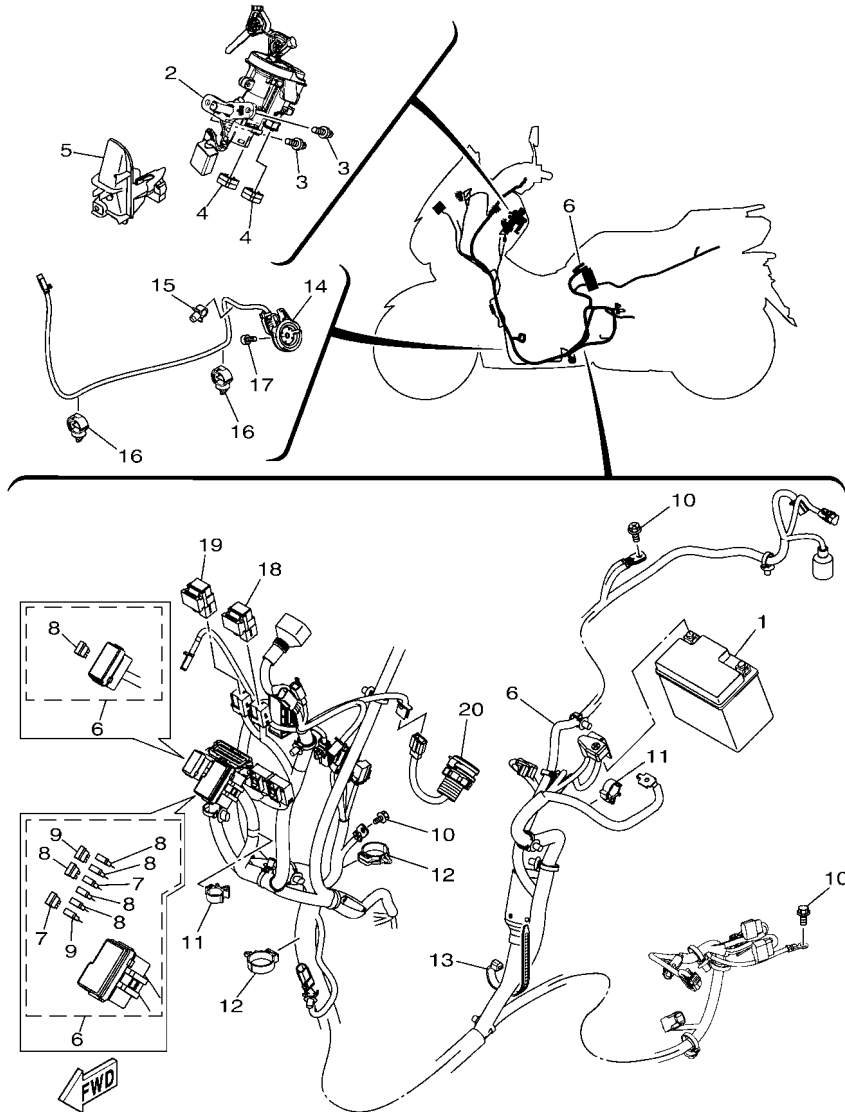
FIG. 35 HANDLE SWITCH & LEVER



← FWD
B6H1460-U360

| REF. NO. | PART NO. | DESCRIPTION | BBM1 | | | | REMARKS |
|----------|--------------|------------------|------|--|--|--|---------|
| 1 | B6H-H3972-00 | SWITCH, HANDLE 4 | 1 | | | | |
| 2 | 98507-05025 | .SCREW, PAN HEAD | 2 | | | | |
| 3 | B3F-H3973-01 | SWITCH, HANDLE 3 | 1 | | | | |
| 4 | 98507-05025 | .SCREW, PAN HEAD | 2 | | | | |
| | | | | | | | |
| | | | | | | | |
| | | | | | | | |
| | | | | | | | |
| | | | | | | | |
| | | | | | | | |
| | | | | | | | |

FIG. 36 ELECTRICAL 1



B6H1460-U380

| REF. NO. | PART NO. | DESCRIPTION | BBM1 | | | | REMARKS |
|----------|--------------|----------------------------|------|--|--|--|---------|
| 1 | BBM-H2100-00 | BATTERY ASSY (YUASA YTZ6V) | 1 | | | | |
| 2 | B6H-H252E-01 | MAIN SWITCH COMP. | 1 | | | | |
| 3 | 90109-06318 | BOLT | 2 | | | | |
| 4 | 90464-09806 | CLAMP | 2 | | | | |
| 5 | B6H-H2568-00 | COVER, MAIN SWITCH | 1 | | | | |
| 6 | B6H-H2590-10 | WIRE HARNESS ASSY | 1 | | | | |
| 7 | B65-H2151-60 | .FUSE (30A) | 2 | | | | |
| 8 | B65-H2151-00 | .FUSE (7.5A) | 6 | | | | |
| 9 | B65-H2151-90 | .FUSE(5A) | 2 | | | | |
| 10 | 95E32-06012 | BOLT, FLANGE DEEP RECESS | 3 | | | | |
| 11 | 90464-16808 | CLAMP | 2 | | | | |
| 12 | 90464-30001 | CLAMP | 2 | | | | |
| 13 | 90464-65801 | CLAMP | 1 | | | | |
| 14 | B8A-H2566-00 | SWITCH, SIDE STAND | 1 | | | | |
| 15 | 90464-07805 | CLAMP | 1 | | | | |
| 16 | 90464-13249 | CLAMP | 2 | | | | |
| 17 | 90110-06881 | BOLT, HEXAGON SOCKET HEAD | 1 | | | | |
| 18 | BK6-H1950-00 | RELAY ASSY | 1 | | | | |
| 19 | B3F-H1950-10 | RELAY ASSY | 1 | | | | |
| 20 | B6H-H254B-00 | TERMINAL COMP. | 1 | | | | |

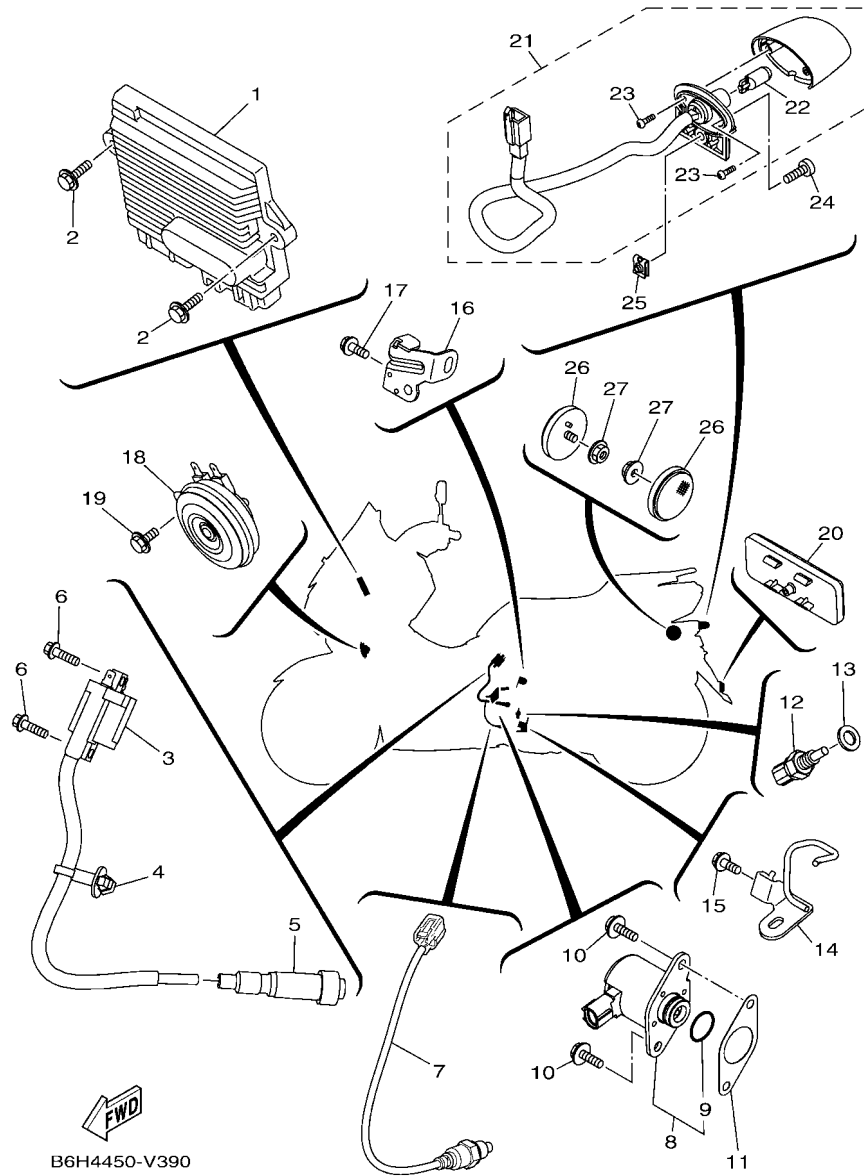
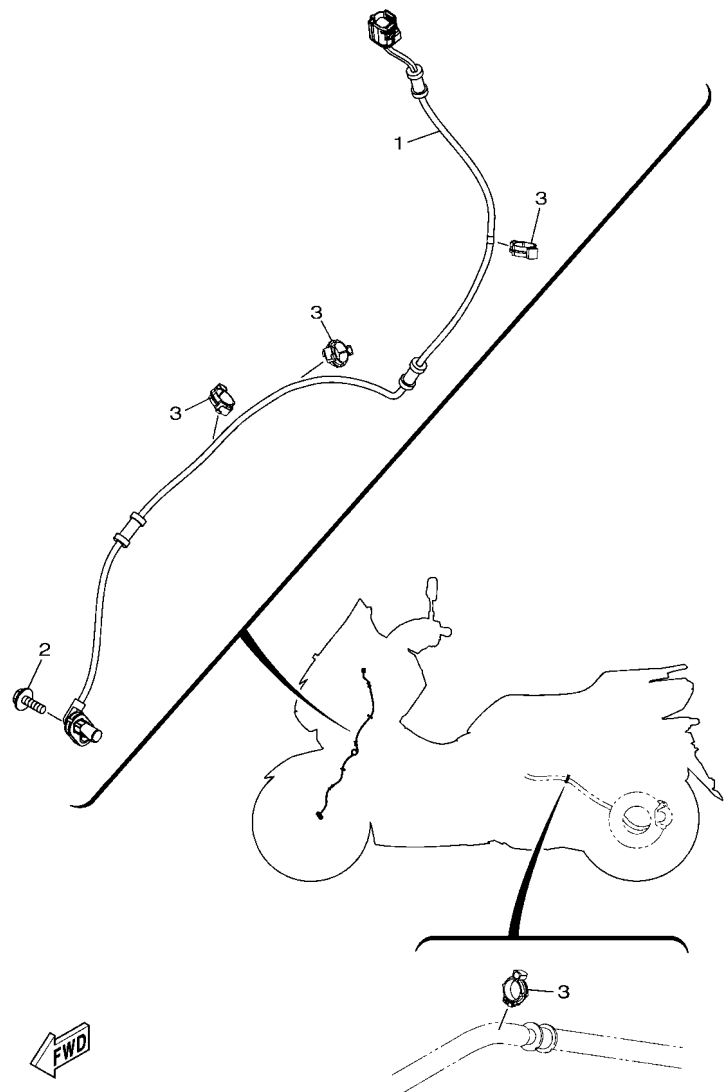


FIG. 37 ELECTRICAL 2

| REF. NO. | PART NO. | DESCRIPTION | BBM1 | REMARKS |
|----------|--------------|------------------------------|------|---------|
| 1 | BBM-H594A-00 | STARTER GEN. CONT. UNIT ASSY | 1 | |
| 2 | 95D32-06020 | BOLT, FLANGE DEEP RECESS | 2 | |
| 3 | B6H-H2310-00 | IGNITION COIL ASSY | 1 | |
| 4 | 90464-14809 | CLAMP | 1 | |
| 5 | BK6-H2370-00 | PLUG CAP ASSY | 1 | |
| 6 | 95E32-06020 | BOLT, FLANGE DEEP RECESS | 2 | |
| 7 | 2DP-H592A-20 | SENSOR, OXYGEN | 1 | |
| 8 | BK6-H6110-00 | SOLENOID | 1 | |
| 9 | BK6-H1847-00 | .O-RING | 1 | |
| 10 | 95D32-06016 | BOLT, FLANGE DEEP RECESS | 2 | |
| 11 | 2DP-H1861-00 | GASKET | 1 | |
| 12 | 54P-H3591-00 | THERMO UNIT | 1 | |
| 13 | 90430-10806 | GASKET | 1 | |
| 14 | B6H-E5142-00 | GUIDE 1 | 1 | |
| 15 | 95E37-06012 | BOLT, FLANGE DEEP RECESS | 1 | |
| 16 | B6H-E5143-00 | GUIDE 2 | 1 | |
| 17 | 95E37-06012 | BOLT, FLANGE DEEP RECESS | 1 | |
| 18 | B6H-H3371-00 | HORN | 1 | |
| 19 | 95D02-06012 | BOLT, FLANGE DEEP RECESS | 1 | |
| 20 | 54P-H5130-00 | REAR REFLECTOR ASSY | 1 | |
| 21 | B6H-H4740-10 | LICENCE LIGHT ASSY | 1 | |
| 22 | 2ND-H4744-00 | .BULB (12V-5W) | 1 | |
| 23 | 1CK-H4726-00 | .SCREW | 2 | |
| 24 | 98907-04014 | SCREW, BIND | 1 | |
| 25 | 90183-04039 | NUT, SPRING | 1 | |
| 26 | 2FC-H5111-00 | REFLECTOR, 1 | 2 | |
| 27 | 95707-05500 | NUT, FLANGE | 2 | |

FIG. 38 ELECTRICAL 3



FWD
BBM1440-V380

| REF. NO. | PART NO. | DESCRIPTION | BBM1 | | | | REMARKS |
|----------|--------------|--------------------------|------|--|--|--|---------|
| 1 | B6H-H5970-00 | WHEEL SENSOR ASSY, FRONT | 1 | | | | |
| 2 | 95D32-06016 | BOLT, FLANGE DEEP RECESS | 1 | | | | |
| 3 | 90464-14803 | CLAMP | 4 | | | | |
| | | | | | | | |
| | | | | | | | |
| | | | | | | | |
| | | | | | | | |
| | | | | | | | |
| | | | | | | | |
| | | | | | | | |
| | | | | | | | |
| | | | | | | | |
| | | | | | | | |
| | | | | | | | |
| | | | | | | | |
| | | | | | | | |
| | | | | | | | |

NUMERICAL INDEX

| PART NO. | REF. NO. | PART NO. | REF. NO. | PART NO. | REF. NO. | PART NO. | REF. NO. | PART NO. | REF. NO. | PART NO. | REF. NO. |
|--------------|----------|--------------|----------|--------------|----------|-----------------|----------|-----------------|----------|-----------------|----------|
| 52S-12439-00 | 6 - 2 | B6H-E2241-00 | 4 - 9 | 4ST-E443E-00 | 11 - 6 | 2DP-E7465-10 | 12 - 12 | 2DP-F173B-40 | 16 - 34 | 2DP-F3157-00 | 18 - 26 |
| 4G0-21639-00 | 28 - 48 | 2DP-E2279-00 | 3 - 12 | 5TL-E443E-00 | 8 - 26 | 2DP-E7611-00 | 12 - 6 | B6H-F173E-40 | 16 - 35 | 2BU-F3158-00 | 18 - 12 |
| 3Y6-23114-00 | 18 - 15 | B63-E2279-00 | 3 - 12 | B5D-E443G-00 | 8 - 27 | B65-E7620-00 | 12 - 1 | B6H-F173E-60 | 16 - 35 | | 18 - 28 |
| | 18 - 31 | B6H-E2280-00 | 4 - 4 | B74-E4449-00 | 8 - 29 | 2DP-E7623-00 | 12 - 3 | B6H-F1741-00-P3 | 16 - 21 | 2DP-F3170-00 | 18 - 8 |
| 2K5-23152-00 | 18 - 9 | 2DP-E2288-00 | 4 - 5 | B6H-E4451-00 | 8 - 23 | B65-E7632-00 | 12 - 2 | B6H-F1746-00 | 16 - 25 | | 18 - 24 |
| | 18 - 25 | B6H-E2288-00 | 4 - 5 | B6H-E4452-00 | 8 - 24 | B65-E7641-00 | 12 - 22 | B6H-F177E-00 | 28 - 22 | 2DP-F3173-00 | 18 - 11 |
| B6H-E1102-00 | 1 - 1 | B63-E22A2-00 | 6 - 6 | B6H-E4453-00 | 8 - 22 | 44D-E7653-00 | 12 - 4 | B6H-F1796-00 | 28 - 30 | | 18 - 27 |
| 2DP-E111F-00 | 3 - 18 | B6H-E240A-00 | 6 - 4 | BK7-E4613-00 | 9 - 4 | B6H-E7660-00 | 12 - 9 | B6H-F1816-00 | 16 - 29 | 278-F3181-50 | 18 - 13 |
| B63-E111F-00 | 3 - 18 | 2DP-E2410-00 | 6 - 1 | B1T-E4711-00 | 9 - 1 | B74-E7664-00 | 12 - 13 | B6H-F1817-00 | 16 - 31 | | 18 - 29 |
| 2DP-E1133-10 | 1 - 2 | B6H-E2422-00 | 5 - 1 | B6H-E4718-00 | 9 - 2 | 2DP-E7668-00 | 12 - 17 | B65-F1871-00 | 16 - 24 | 5YW-F3346-10 | 18 - 37 |
| 2DP-E1165-00 | 1 - 8 | B63-E2439-00 | 6 - 7 | B6H-E5142-00 | 37 - 14 | B6H-E7670-00 | 12 - 10 | 1S7-F1875-01 | 16 - 28 | 4RT-F3411-10 | 18 - 40 |
| B6H-E1166-00 | 8 - 34 | B6H-E2439-00 | 5 - 3 | B6H-E5143-00 | 37 - 16 | B6H-E7674-00 | 12 - 5 | B6H-F194U-00 | 26 - 39 | 4RT-F3412-10 | 18 - 39 |
| 2DP-E1169-00 | 1 - 9 | B6H-E2450-00 | 5 - 5 | B6H-E5150-00 | 10 - 1 | 2DP-E7674-10 | 12 - 14 | 2DP-F2117-00 | 17 - 6 | B65-F3415-00 | 18 - 43 |
| 2DP-E1181-00 | 1 - 21 | B65-E2462-00 | 6 - 5 | B6H-E5316-00 | 11 - 14 | B6H-E7678-00 | 12 - 18 | B65-F2141-00 | 14 - 10 | 3AY-F3416-00 | 18 - 42 |
| B6H-E1185-00 | 5 - 4 | B6H-E2467-00 | 6 - 25 | B6H-E5326-00 | 11 - 15 | 2DP-E7678-10 | 12 - 20 | B6H-F2171-00 | 17 - 1 | 1PA-F3418-00 | 18 - 46 |
| 2DP-E1191-00 | 1 - 7 | B6H-E2481-00 | 6 - 17 | B6H-E533C-00 | 11 - 20 | B65-E7683-00 | 12 - 15 | B1T-F2210-00 | 17 - 14 | 1P6-F341E-10 | 18 - 41 |
| B3F-E1193-00 | 1 - 15 | B6H-E2482-00 | 6 - 18 | B6H-E533E-00 | 11 - 22 | 2DP-E7684-00 | 12 - 16 | 5MX-F2216-00 | 10 - 5 | B63-F3462-00 | 18 - 35 |
| B6H-E1311-00 | 1 - 25 | B6H-E2483-00 | 6 - 19 | 54P-E5351-00 | 7 - 3 | B6H-F1110-00 | 14 - 1 | | 17 - 2 | 2TD-F3873-00 | 18 - 38 |
| 2DP-E132G-00 | 1 - 13 | B6H-E2491-00 | 6 - 20 | 2DP-E5362-00 | 10 - 14 | B65-F113B-00 | 14 - 9 | B6H-F2403-00 | 18 - 34 | 2TD-F3875-00 | 18 - 36 |
| B6H-E1351-00 | 1 - 26 | B65-E2611-00 | 6 - 27 | 5LW-E5363-00 | 10 - 16 | B65-F117G-00 | 14 - 6 | B6H-F247A-00 | 27 - 6 | B6H-F4110-00 | 19 - 1 |
| 2DP-E1391-00 | 1 - 18 | 5ST-E2615-00 | 6 - 9 | B6H-E5371-00 | 10 - 29 | B6H-F131C-00 | 28 - 45 | B6H-F247B-00 | 27 - 12 | 2DP-F413B-00 | 28 - 49 |
| 2DP-E1392-00 | 1 - 19 | B6H-E2621-00 | 6 - 21 | 5LW-E5371-01 | 11 - 5 | 5TP-F139X-00 | 19 - 20 | B6H-F247C-00 | 20 - 19 | B6H-F414A-00 | 19 - 12 |
| B6H-E1400-10 | 2 - 1 | 5ST-E2843-00 | 6 - 10 | B6H-E5373-00 | 10 - 30 | B6H-F1410-00 | 14 - 5 | B6H-F2865-00-P5 | 29 - 19 | 5D9-F414G-00 | 14 - 4 |
| B63-E1603-00 | 2 - 9 | B63-E2843-00 | 6 - 8 | 2DP-E5407-00 | 11 - 11 | 2DP-F1511-00-P5 | 15 - 1 | B6H-F2865-00-P6 | 29 - 19 | | 15 - 2 |
| BK6-E1631-00 | 2 - 6 | B65-E3300-01 | 7 - 1 | B6H-E5411-00 | 11 - 1 | 2DP-F1511-00-PA | 15 - 1 | B6H-F286F-00-P5 | 28 - 1 | | 19 - 19 |
| 2DP-E1633-00 | 2 - 7 | 54P-E3411-00 | 7 - 4 | B6H-E5421-00 | 10 - 24 | B6H-F1552-00 | 15 - 4 | B6H-F286F-00-P6 | 28 - 1 | 54P-F414G-10 | 19 - 8 |
| 2DP-E1651-00 | 2 - 4 | 2DP-E3556-00 | 8 - 12 | B65-E5423-00 | 10 - 18 | BBM-F1568-00 | 28 - 52 | B6H-F3100-00 | 18 - 1 | B6H-F419A-00 | 19 - 16 |
| B63-E1681-00 | 2 - 2 | B6H-E3585-00 | 8 - 1 | B6H-E5431-00 | 11 - 8 | B6H-F1611-30 | 15 - 6 | B6H-F3102-00 | 18 - 2 | B6H-F4217-00 | 19 - 13 |
| BK6-E2111-00 | 3 - 1 | B65-E3750-10 | 8 - 13 | B6H-E5451-00 | 11 - 2 | B6H-F1621-00 | 20 - 35 | B6H-F3103-00 | 18 - 18 | B6H-F4318-00 | 19 - 14 |
| BB8-E2113-01 | 3 - 4 | BB8-E3761-10 | 8 - 6 | B6H-E5461-10 | 10 - 25 | B6H-F162R-00 | 15 - 9 | 2DP-F3110-00 | 18 - 7 | B6H-F4491-00 | 19 - 9 |
| 2DP-E2117-00 | 3 - 6 | 5LW-E3769-00 | 10 - 15 | B65-E5472-00 | 11 - 10 | B6H-F1651-00-P5 | 16 - 15 | | 18 - 23 | B6H-F4494-00 | 28 - 43 |
| 5TL-E2118-00 | 3 - 5 | BB8-E3770-10 | 8 - 5 | 2DP-E5474-00 | 11 - 13 | B6H-F1651-00-P6 | 16 - 15 | 2DP-F3111-00 | 18 - 16 | B6H-F4610-01 | 19 - 11 |
| 54P-E2119-00 | 3 - 3 | B6H-E3907-00 | 19 - 5 | B63-E5481-00 | 11 - 12 | BC1-F1668-00 | 20 - 41 | | 18 - 32 | B6H-F470F-00 | 20 - 2 |
| B3F-E2121-00 | 3 - 2 | 54P-E3915-00 | 19 - 6 | 2DP-E5495-00 | 11 - 9 | B6H-F1711-00-P5 | 16 - 1 | B65-F3123-00 | 18 - 48 | B74-F4727-00 | 20 - 16 |
| 50C-E2126-00 | 3 - 7 | 54P-E3938-00 | 8 - 9 | 2DP-E5744-00 | 12 - 19 | B6H-F1711-00-P6 | 16 - 1 | 2DP-F3126-00 | 18 - 3 | B6H-F472A-00 | 20 - 18 |
| 2DP-E2150-00 | 3 - 8 | B6H-E3971-00 | 19 - 4 | B65-E6111-00 | 13 - 9 | B6H-F171E-00 | 16 - 9 | B6H-F312G-00 | 18 - 47 | B6H-F472T-00 | 20 - 25 |
| 45P-E2156-00 | 3 - 16 | 54P-E4137-00 | 8 - 10 | B65-E6111-10 | 13 - 9 | B6H-F171L-00-P5 | 27 - 29 | 2DP-F3136-00 | 18 - 19 | B6H-F4730-00 | 20 - 1 |
| 5YP-E2157-01 | 4 - 6 | B6H-E4146-00 | 8 - 4 | B65-E6611-00 | 12 - 21 | B6H-F171L-00-P6 | 27 - 29 | B6H-F3141-00 | 18 - 14 | B6H-F473R-00 | 20 - 7 |
| 33S-E2159-01 | 3 - 9 | 54P-E4147-00 | 8 - 7 | B6H-E6620-00 | 12 - 7 | B6H-F171M-00-P5 | 27 - 31 | | 18 - 30 | 3C1-F4741-00 | 20 - 4 |
| | 3 - 14 | 5CA-E4147-00 | 8 - 8 | B65-E6626-00 | 12 - 8 | B6H-F171M-00-P6 | 27 - 31 | 3HB-F3144-00 | 18 - 6 | 5BP-F4741-00 | 20 - 3 |
| B6H-E2160-00 | 3 - 13 | 54P-E416A-00 | 8 - 17 | 2DP-E7211-00 | 13 - 4 | B6H-F171X-00 | 16 - 11 | | 18 - 22 | B6H-F475M-00 | 20 - 5 |
| B6H-E2170-00 | 4 - 1 | B6H-E4199-00 | 8 - 2 | 2DP-E7211-10 | 13 - 4 | B6H-F1721-00-P5 | 16 - 5 | 3HB-F3145-00 | 18 - 4 | 1S7-F4768-00 | 20 - 24 |
| 2PV-E2210-01 | 4 - 11 | 54P-E4243-00 | 8 - 15 | 2DP-E7410-01 | 13 - 1 | B6H-F1721-00-P6 | 16 - 5 | | 18 - 20 | B6H-F4769-00 | 20 - 12 |
| B6H-E2213-00 | 4 - 12 | 54P-E4335-00 | 8 - 16 | 2DP-E7410-10 | 13 - 1 | 2DP-F172W-00 | 27 - 28 | 2DP-F3153-00 | 18 - 17 | B6H-F4773-01-P2 | 20 - 27 |
| B6H-E2223-00 | 5 - 2 | B6H-E4411-10 | 8 - 19 | 2DP-E7410-20 | 13 - 1 | B6H-F1731-00-P3 | 16 - 18 | | 18 - 33 | 40D-F4780-01 | 20 - 22 |
| BB8-E2226-00 | 3 - 11 | B6H-E4412-10 | 8 - 20 | 2DP-E7410-30 | 13 - 1 | 5P2-F1737-00 | 25 - 26 | 3V3-F3156-00 | 18 - 5 | B6H-F478E-00 | 20 - 21 |
| 1DB-E2228-00 | 4 - 10 | B6H-E4435-00 | 8 - 30 | B6H-E7421-00 | 13 - 3 | B92-F1737-00 | 25 - 27 | | 18 - 21 | B6H-F4811-00 | 20 - 14 |
| B65-E2231-00 | 4 - 8 | B6H-E4437-00 | 8 - 21 | 2DP-E7465-00 | 12 - 11 | 2DP-F173B-00 | 16 - 34 | 2DP-F3157-00 | 18 - 10 | B6H-F5168-00-33 | 21 - 1 |

NUMERICAL INDEX

| PART NO. | REF. NO. | PART NO. | REF. NO. | PART NO. | REF. NO. | PART NO. | REF. NO. | PART NO. | REF. NO. | PART NO. | REF. NO. |
|-----------------|----------|-----------------|----------|-----------------|----------|-----------------|----------|-------------|----------|-------------|----------|
| B6H-F5168-00-P2 | 21 - 1 | 2DP-F5920-50 | 24 - 13 | 2DP-F814F-00 | 20 - 39 | B6H-H3310-00 | 31 - 1 | 90109-068B2 | 27 - 17 | 90183-05807 | 28 - 19 |
| 2DP-F517G-00 | 21 - 5 | 5YP-F5924-00 | 22 - 12 | 3AY-F8152-00 | 20 - 40 | 2CB-H3311-00 | 31 - 2 | | 27 - 24 | | 28 - 23 |
| 2DP-F5181-00 | 21 - 10 | | 24 - 12 | B6H-F8311-00 | 28 - 16 | | 31 - 9 | | 29 - 11 | | 28 - 41 |
| B6H-F5338-00-33 | 23 - 1 | 5YP-F5925-01 | 22 - 10 | B6H-F8312-00-P1 | 28 - 36 | | 34 - 2 | | 34 - 5 | | 29 - 5 |
| B6H-F5338-00-P2 | 23 - 1 | | 24 - 10 | B6H-F8315-40 | 28 - 50 | B6H-H3312-00 | 31 - 3 | 90109-068C7 | 15 - 8 | | 29 - 16 |
| B6H-F5522-00 | 26 - 37 | 5YP-F5937-00 | 22 - 7 | B6H-F8315-60 | 28 - 50 | B6H-H3320-00 | 31 - 8 | 90109-08232 | 22 - 2 | | 29 - 20 |
| 2BM-F5802-00 | 22 - 4 | | 24 - 7 | B6H-F8321-00 | 28 - 24 | B6H-H3322-00 | 31 - 10 | | 24 - 2 | | 33 - 4 |
| 5PO-F5802-00 | 24 - 4 | B6H-F6110-01 | 25 - 1 | B6H-F8328-40 | 28 - 51 | B6H-H3371-00 | 37 - 18 | 90110-06378 | 1 - 24 | | 34 - 3 |
| 5YP-F5803-50 | 22 - 5 | B6H-F6143-00 | 25 - 16 | B6H-F8328-60 | 28 - 51 | B6H-H3510-50 | 32 - 1 | 90110-06846 | 8 - 18 | 90183-06815 | 16 - 10 |
| | 24 - 5 | B6H-F6144-00 | 25 - 22 | B6H-F8351-00-P5 | 28 - 3 | B6H-H3511-00 | 32 - 2 | 90110-06880 | 30 - 3 | | 16 - 12 |
| 2DP-F5805-00 | 22 - 9 | 4US-F6199-00 | 20 - 11 | B6H-F8351-00-P6 | 28 - 3 | B6H-H3559-00-P1 | 29 - 4 | 90110-06881 | 36 - 17 | 90183-06818 | 25 - 17 |
| B6H-F5805-00 | 24 - 9 | B1T-F61AA-00 | 29 - 1 | B6H-F8356-00 | 14 - 18 | B6H-H3572-00 | 32 - 4 | 90111-05816 | 20 - 38 | | 34 - 4 |
| 2DP-F5807-00 | 26 - 2 | B6H-F6219-00-P1 | 25 - 19 | B6H-F835U-00 | 28 - 9 | 54P-H3591-00 | 37 - 12 | 90111-06860 | 9 - 3 | 90185-10011 | 25 - 3 |
| 2DP-F5807-10 | 26 - 23 | B6H-F6240-00 | 25 - 4 | B6H-F835V-00 | 28 - 12 | 2DP-H3912-00 | 26 - 28 | 90119-06212 | 20 - 20 | 90185-10012 | 21 - 11 |
| B6H-F580U-00 | 22 - 3 | 2DP-F6241-00 | 25 - 5 | B6H-F836K-00 | 28 - 20 | 2DP-H3922-00 | 26 - 7 | 90119-06235 | 27 - 16 | 90185-16800 | 23 - 4 |
| B6H-F580W-00 | 24 - 3 | 2PH-F6246-00 | 25 - 6 | B6H-F836X-00 | 28 - 32 | B6H-H3972-00 | 35 - 1 | | 27 - 23 | 90201-06828 | 33 - 6 |
| 5PO-F5827-00 | 24 - 15 | 2DP-F6280-10 | 25 - 7 | B6H-F8377-00-P5 | 28 - 6 | B3F-H3973-01 | 35 - 3 | 90119-068B7 | 19 - 2 | 90201-08859 | 1 - 17 |
| B8A-F5827-00 | 22 - 15 | 2DP-F6290-10 | 25 - 8 | B6H-F8377-00-P6 | 28 - 6 | B6H-H3980-00 | 26 - 12 | 90149-05030 | 21 - 6 | 90201-08884 | 20 - 29 |
| 2DP-F582U-00 | 22 - 1 | B6H-F6301-00 | 25 - 9 | B6H-F837L-00 | 29 - 7 | B6H-H4140-00 | 31 - 5 | 90149-05801 | 1 - 10 | 90201-10118 | 26 - 16 |
| 2DP-F582W-00 | 24 - 1 | 50C-F6326-00 | 33 - 3 | B6H-F837M-00 | 29 - 15 | B6H-H4150-00 | 31 - 12 | 90149-06104 | 25 - 21 | | 26 - 20 |
| BBM-F583T-00 | 26 - 1 | 1S9-F6332-00 | 26 - 11 | B6H-F8385-00 | 27 - 33 | B6H-H4300-00 | 33 - 1 | 90149-10805 | 22 - 16 | 90201-10831 | 21 - 12 |
| BBM-F583V-00 | 26 - 22 | | 26 - 32 | B6H-F838K-00 | 28 - 25 | B6H-H4710-00 | 34 - 1 | 90150-05008 | 29 - 2 | 90201-10853 | 17 - 17 |
| 5HV-F5852-00 | 26 - 3 | B6H-F7111-00 | 27 - 1 | B6H-F838M-00 | 28 - 27 | B6H-H4716-00 | 16 - 13 | 90159-05032 | 25 - 24 | 90201-12688 | 30 - 4 |
| | 26 - 24 | B6H-F7112-00 | 27 - 2 | B6H-F839K-00 | 28 - 44 | B6H-H4723-00 | 31 - 4 | 90159-06817 | 33 - 5 | 90201-15847 | 12 - 30 |
| 5HV-F5854-10 | 26 - 5 | 54P-F7114-00 | 27 - 4 | B6H-F8428-00 | 29 - 14 | | 31 - 11 | 90160-05009 | 28 - 11 | 90201-15849 | 12 - 24 |
| | 26 - 26 | | 27 - 13 | | 29 - 18 | 1CK-H4726-00 | 37 - 23 | | 28 - 14 | 90201-16819 | 12 - 23 |
| 5HV-F585B-10 | 26 - 4 | 5P2-F7114-00 | 14 - 14 | B6H-F842M-00 | 28 - 38 | B6H-H4740-10 | 37 - 21 | | 29 - 13 | 90202-26142 | 18 - 45 |
| | 26 - 25 | 54P-F7121-00 | 10 - 3 | B6H-F842N-00 | 20 - 37 | 2ND-H4744-00 | 37 - 22 | | 29 - 17 | 90249-03017 | 28 - 34 |
| 2DP-F5867-00 | 26 - 31 | B65-F7217-00 | 27 - 9 | B6H-H1410-00 | 30 - 2 | 2FC-H5111-00 | 37 - 26 | 90160-05014 | 25 - 25 | 90269-06812 | 20 - 36 |
| 2DP-F5867-10 | 26 - 10 | 1LB-F7254-00 | 27 - 7 | B6H-H1450-00 | 30 - 1 | 54P-H5130-00 | 37 - 20 | 90160-05810 | 16 - 19 | 90269-06816 | 15 - 5 |
| B6H-F5872-10 | 26 - 14 | B6H-F7311-00 | 27 - 8 | BK6-H1847-00 | 37 - 9 | BK6-H5752-00 | 19 - 7 | | 16 - 22 | | 16 - 3 |
| B6H-F5873-10 | 26 - 18 | B6H-F741L-00 | 27 - 40 | 2DP-H1861-00 | 37 - 11 | 2DP-H592A-20 | 37 - 7 | 90170-05803 | 3 - 10 | | 16 - 7 |
| B6H-F5875-00 | 18 - 49 | B6H-F7426-00 | 28 - 42 | BK6-H1950-00 | 36 - 18 | BBM-H594A-00 | 37 - 1 | | 3 - 15 | | 20 - 26 |
| B6H-F5876-00 | 18 - 51 | B6H-F742L-00 | 27 - 50 | B3F-H1950-10 | 36 - 19 | B6H-H5970-00 | 38 - 1 | 90170-12802 | 12 - 26 | | 25 - 23 |
| B6H-F587A-00 | 26 - 41 | B6H-F7430-00 | 27 - 39 | BBM-H2100-00 | 36 - 1 | BK6-H6110-00 | 37 - 8 | 90179-05003 | 14 - 20 | | 27 - 34 |
| B6H-F5886-00 | 17 - 11 | 2DP-F7431-01 | 27 - 41 | B6H-H2129-10 | 20 - 33 | 4C9-W0048-00 | 22 - 8 | 90179-12004 | 12 - 25 | | 28 - 2 |
| B6H-F5887-00 | 26 - 35 | 2DP-F7437-01 | 27 - 47 | B65-H2151-00 | 36 - 8 | | 24 - 8 | | 30 - 5 | | 28 - 37 |
| B6H-F588F-00 | 14 - 22 | | 27 - 57 | B65-H2151-60 | 36 - 7 | 90105-088E3 | 14 - 16 | 90179-25810 | 18 - 44 | | 29 - 10 |
| B6H-F588G-00 | 17 - 8 | B6H-F7440-00 | 27 - 49 | B65-H2151-90 | 36 - 9 | 90105-088E8 | 17 - 15 | 90183-04039 | 37 - 25 | 90280-03017 | 2 - 5 |
| 2DP-F589F-00 | 26 - 8 | 2DP-F7441-01 | 27 - 51 | B6H-H2310-00 | 37 - 3 | 90105-10283 | 14 - 12 | 90183-05807 | 16 - 2 | 90340-12813 | 1 - 3 |
| | 26 - 29 | B6H-F7456-00 | 28 - 46 | BK6-H2370-00 | 37 - 5 | 90105-10896 | 25 - 2 | | 16 - 6 | 90340-12816 | 10 - 10 |
| 2R6-F5916-00 | 22 - 14 | B6H-F7481-00 | 27 - 14 | B6H-H251P-00 | 14 - 2 | 90105-108C1 | 17 - 16 | | 20 - 10 | 90380-10800 | 12 - 28 |
| | 24 - 14 | B6H-F7483-00 | 27 - 35 | B6H-H252E-01 | 36 - 2 | 90109-06318 | 14 - 3 | | 27 - 19 | 90387-064H8 | 27 - 46 |
| 2BM-F5917-00 | 22 - 6 | B6H-F7484-00 | 27 - 36 | B6H-H2530-00 | 26 - 33 | | 36 - 3 | | 27 - 26 | | 27 - 56 |
| 5YP-F5917-00 | 24 - 6 | B6H-F7488-00 | 27 - 21 | B6H-H254B-00 | 36 - 20 | 90109-068A4 | 15 - 3 | | 28 - 4 | 90387-068T3 | 34 - 7 |
| 2BM-F5919-00 | 22 - 11 | B6H-F7493-00 | 27 - 37 | B8A-H2566-00 | 36 - 14 | 90109-068B2 | 15 - 7 | | 28 - 7 | 90387-07391 | 28 - 18 |
| 5PO-F5919-01 | 24 - 11 | B6H-F7494-00 | 27 - 38 | B6H-H2568-00 | 36 - 5 | | 16 - 26 | | 28 - 10 | 90387-08821 | 14 - 15 |
| 2DP-F5920-00 | 22 - 13 | B6H-F74A8-00 | 28 - 40 | B6H-H2590-10 | 36 - 6 | | 20 - 9 | | 28 - 13 | 90387-08823 | 6 - 11 |

NUMERICAL INDEX

| PART NO. | REF. NO. | PART NO. | REF. NO. | PART NO. | REF. NO. | PART NO. | REF. NO. | PART NO. | REF. NO. | PART NO. | REF. NO. |
|-------------|----------|-------------|----------|-------------|----------|-------------|----------|-------------|----------|-------------|----------|
| 90387-08847 | 20 - 30 | 90467-12052 | 8 - 36 | 91332-06025 | 8 - 3 | 95612-08618 | 1 - 6 | 95E32-08020 | 27 - 58 | 99530-08012 | 5 - 10 |
| 90387-10277 | 21 - 9 | 90467-12809 | 8 - 28 | 91402-20012 | 27 - 42 | 95702-06500 | 20 - 6 | 95E32-08035 | 10 - 28 | 99530-10114 | 1 - 22 |
| 90387-10839 | 21 - 2 | 90467-19803 | 6 - 15 | | 6 - 15 | 95702-08500 | 9 - 5 | 95E32-08045 | 10 - 27 | | 1 - 23 |
| 90387-10857 | 14 - 8 | | 6 - 16 | 91702-06038 | 27 - 43 | 95707-05500 | 37 - 27 | 95E37-06012 | 19 - 17 | | 10 - 6 |
| 90387-10867 | 20 - 31 | 90467-20806 | 6 - 14 | | 27 - 53 | 95812-10030 | 24 - 16 | | 37 - 15 | | 10 - 21 |
| 90387-17807 | 17 - 5 | 90468-08086 | 20 - 13 | 92017-05016 | 25 - 11 | 95827-06016 | 34 - 6 | | 37 - 17 | | 10 - 26 |
| 90387-17808 | 17 - 9 | 90468-18121 | 20 - 17 | 93102-08800 | 1 - 14 | 95D02-06012 | 18 - 50 | 97602-04312 | 26 - 13 | | 11 - 3 |
| 90388-08803 | 10 - 5 | 90480-01559 | 16 - 4 | 93102-20815 | 13 - 11 | | 18 - 52 | | 26 - 34 | | |
| | 17 - 2 | | 16 - 8 | 93102-22829 | 10 - 9 | | 26 - 36 | 97702-30016 | 32 - 5 | | |
| 90388-10808 | 10 - 4 | | 27 - 15 | 93102-24802 | 10 - 19 | | 37 - 19 | 97702-50014 | 31 - 6 | | |
| 90388-10818 | 14 - 7 | | 27 - 22 | 93102-32807 | 13 - 8 | 95D32-06012 | 14 - 23 | | 31 - 13 | | |
| 90401-10812 | 26 - 15 | 90480-13018 | 33 - 2 | 93106-20816 | 21 - 3 | | 17 - 12 | 97702-50016 | 15 - 10 | | |
| | 26 - 19 | 90480-14808 | 16 - 27 | 93106-28801 | 17 - 3 | 95D32-06016 | 6 - 28 | | 16 - 17 | | |
| 90430-06803 | 1 - 5 | 90480-14825 | 28 - 17 | 93210-09806 | 4 - 2 | | 37 - 10 | | 27 - 18 | | |
| | 1 - 28 | 90480-14833 | 6 - 12 | 93210-14816 | 10 - 17 | | 38 - 2 | | 27 - 25 | | |
| | 5 - 9 | 90480-17802 | 14 - 21 | 93210-19809 | 5 - 14 | 95D32-06020 | 37 - 2 | | 27 - 30 | | |
| 90430-08804 | 10 - 13 | 90480-19802 | 20 - 32 | 93210-29800 | 7 - 6 | 95D32-06025 | 28 - 35 | | 27 - 32 | | |
| 90430-10806 | 37 - 13 | 90501-12743 | 27 - 44 | 93210-39803 | 5 - 11 | 95D32-06030 | 6 - 13 | | 28 - 5 | | |
| 90430-12803 | 10 - 11 | | 27 - 54 | 93211-28800 | 10 - 20 | | 8 - 11 | | 28 - 8 | | |
| 90450-43805 | 8 - 33 | 90501-16004 | 7 - 5 | 93300-608X0 | 5 - 7 | | 8 - 31 | | 28 - 21 | | |
| 90464-07018 | 16 - 16 | 90506-20818 | 27 - 11 | 93306-001YG | 4 - 3 | 95D32-08035 | 10 - 12 | | 28 - 26 | | |
| 90464-07805 | 16 - 33 | 90506-23815 | 20 - 15 | 93306-254Y5 | 13 - 10 | | 20 - 28 | | 28 - 31 | | |
| | 26 - 17 | 90506-40806 | 27 - 5 | 93306-255YA | 13 - 7 | 95D32-08050 | 14 - 19 | | 28 - 39 | | |
| | 26 - 38 | 90508-12800 | 28 - 33 | 93306-300YN | 21 - 4 | 95D32-10045 | 9 - 6 | | 29 - 12 | | |
| | 36 - 15 | 90520-02014 | 25 - 20 | 93306-302YU | 13 - 2 | 95D32-10060 | 9 - 7 | | 29 - 21 | | |
| 90464-07807 | 25 - 15 | 90520-02849 | 25 - 18 | 93306-303YW | 13 - 6 | | 17 - 10 | | 32 - 6 | | |
| 90464-08009 | 25 - 10 | | 27 - 20 | 93306-303YX | 17 - 4 | 95D37-06016 | 17 - 7 | | 33 - 7 | | |
| 90464-09806 | 36 - 4 | | 27 - 27 | 93306-351Y8 | 13 - 12 | 95E32-06010 | 1 - 4 | 97707-30014 | 32 - 3 | | |
| 90464-13249 | 36 - 16 | | 29 - 3 | 93310-528YK | 2 - 3 | | 1 - 27 | 97707-50012 | 20 - 34 | | |
| 90464-14002 | 19 - 18 | 90520-02850 | 29 - 6 | 933A6-202Y0 | 12 - 27 | 95E32-06012 | 20 - 23 | | 28 - 28 | | |
| 90464-14803 | 38 - 3 | 90520-04806 | 20 - 8 | 93450-16115 | 2 - 8 | | 26 - 40 | | 28 - 47 | | |
| 90464-14809 | 37 - 4 | 90520-06817 | 28 - 29 | 93501-04830 | 27 - 45 | | 26 - 42 | 97707-50016 | 16 - 14 | | |
| 90464-16006 | 17 - 13 | 90520-10851 | 11 - 18 | | 27 - 55 | | 36 - 10 | | 31 - 7 | | |
| 90464-16808 | 25 - 13 | 90520-10853 | 6 - 22 | 93900-00824 | 21 - 8 | 95E32-06014 | 3 - 19 | | 31 - 14 | | |
| | 26 - 21 | 90520-10854 | 16 - 20 | | 23 - 3 | 95E32-06020 | 4 - 13 | 97707-50025 | 8 - 25 | | |
| | 28 - 15 | 90520-10855 | 6 - 23 | 94111-13803 | 21 - 7 | | 6 - 3 | 98502-05020 | 7 - 2 | | |
| | 29 - 9 | | 11 - 23 | 94113-13809 | 23 - 2 | | 6 - 26 | 98502-06012 | 8 - 14 | | |
| | 36 - 11 | 90520-10856 | 11 - 16 | 94568-F9096 | 4 - 7 | | 10 - 22 | 98507-05025 | 35 - 2 | | |
| 90464-24230 | 25 - 14 | 90520-15803 | 19 - 3 | 94700-00415 | 1 - 20 | | 37 - 6 | | 35 - 4 | | |
| 90464-30001 | 16 - 30 | 90520-15816 | 8 - 32 | 95027-06020 | 5 - 8 | 95E32-06025 | 5 - 12 | 98707-04012 | 26 - 6 | | |
| | 19 - 15 | 90520-15817 | 16 - 23 | 95302-10600 | 17 - 18 | 95E32-06030 | 1 - 11 | | 26 - 27 | | |
| | 36 - 12 | 90520-20800 | 29 - 8 | 95332-08600 | 1 - 16 | | 10 - 23 | 98907-04014 | 37 - 24 | | |
| 90464-65801 | 36 - 13 | 90520-40800 | 11 - 21 | 95602-06100 | 26 - 9 | 95E32-06035 | 11 - 4 | 99002-09600 | 27 - 3 | | |
| 90467-08003 | 16 - 32 | 90520-40801 | 11 - 17 | | 26 - 30 | 95E32-06045 | 5 - 13 | 99009-08400 | 5 - 6 | | |
| 90467-10008 | 10 - 31 | 90520-50801 | 11 - 19 | 95602-08200 | 14 - 17 | 95E32-06050 | 6 - 24 | 99009-25400 | 13 - 5 | | |
| 90467-11106 | 11 - 7 | 91312-05010 | 19 - 10 | 95602-10200 | 14 - 11 | 95E32-06060 | 10 - 7 | 99009-35700 | 12 - 29 | | |
| 90467-11825 | 8 - 35 | | 25 - 12 | | 14 - 13 | 95E32-06110 | 10 - 8 | 99480-03012 | 10 - 2 | | |
| | 10 - 32 | 91312-05016 | 3 - 17 | | 27 - 10 | 95E32-08020 | 27 - 48 | 99530-08012 | 1 - 12 | | |